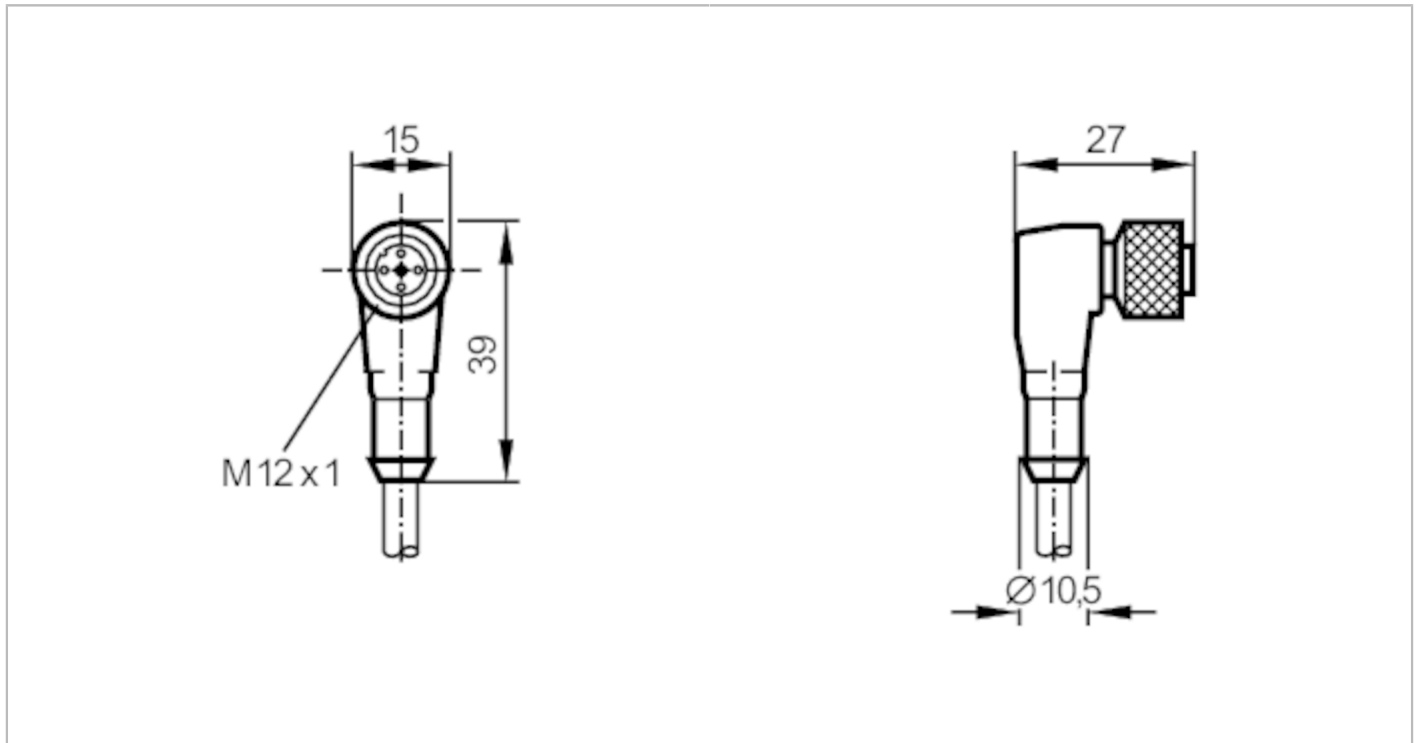


E10865



Connecting cable with socket

ADOAH030MSS0002E03



Electrical data

Operating voltage	[V]	< 250 AC / < 300 DC
-------------------	-----	---------------------

Operating conditions

Ambient temperature	[°C]	-25...90
Protection		IP 67

Mechanical data

Weight	[g]	89.2
Dimensions	[mm]	27 x 15 x 39
Materials		TPU
Material nut		brass

Remarks

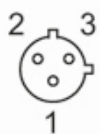
Pack quantity		1 pcs.
---------------	--	--------

Electrical connection

Cable: 2 m, PVC, orange, Ø 5 mm; 3 x 0.34 mm² (19 x Ø 0.16 mm) / AWG 22

Electrical connection - socket

Connector: 1 x M12, angled; Moulded body: TPU; Locking: brass, nickel-plated; Tightening torque: 0.5 Nm



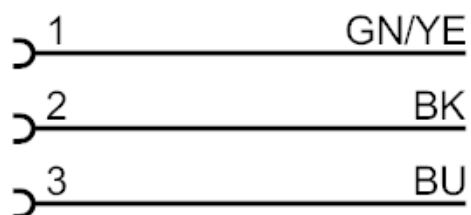
E10865



Connecting cable with socket

ADOAH030MSS0002E03

Connection



Core colours :

BK = black

BU = blue

GN/YE = green/yellow