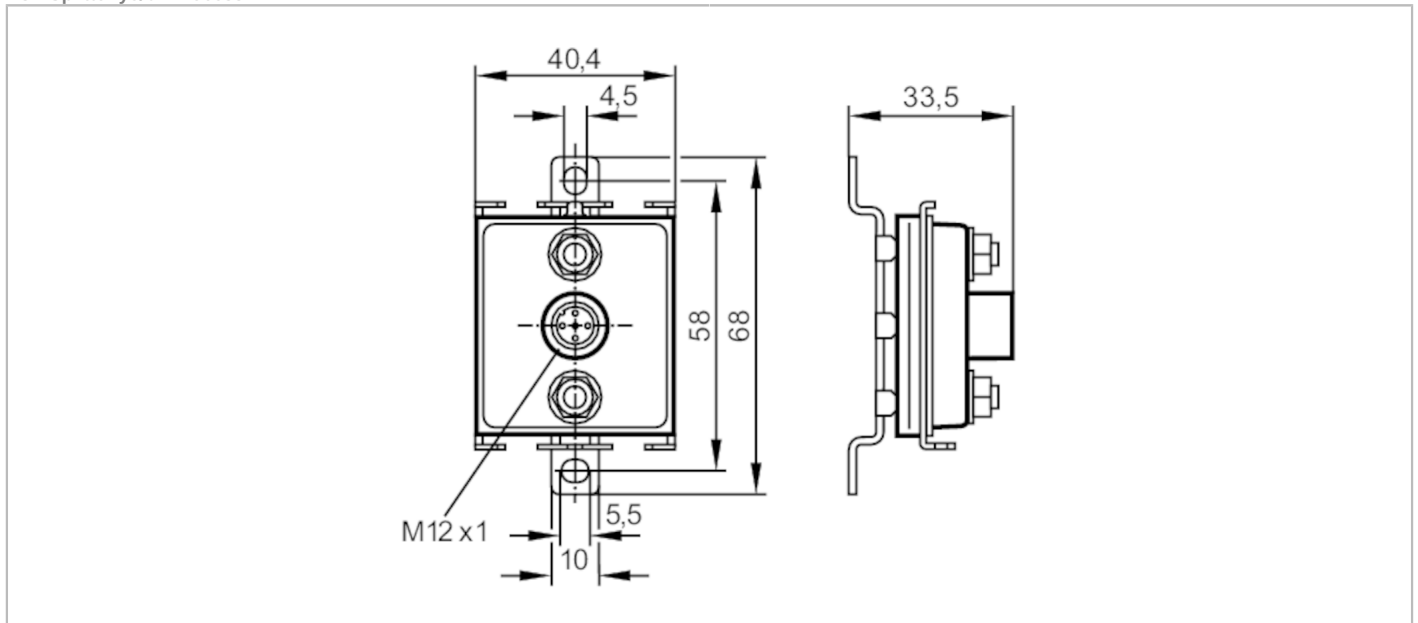


E70354



AS-Interface flat cable insulation displacement connector

FCE Splitter ye/bk ProcessL



Electrical data	
Protection class	III
Max. current load total [A]	4
Outputs	
Electrical design	AS-i
Operating conditions	
Ambient temperature [°C]	-30...80
Protection	IP 68; IP 69K
Mechanical data	
Weight [g]	109
Materials	metal parts: stainless steel (1.4404 / 316L); rubber gasket for contact pins: FKM; Sealing: EPDM
Tightening torque [Nm]	2.5; (Mounting screw)
Accessories	
Accessories (optional)	Torque wrench:, E70390
Remarks	
Remarks	Use M12 connectors with hexagon nuts, tightening torque 0.8 Nm.
Pack quantity	1 pcs.

E70354



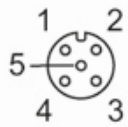
AS-Interface flat cable insulation displacement connector

FCE Splitter ye/bk ProcessL

Electrical connection - socket

1	AS-i +
2	0 V
3	AS-i -
4	+ 24 V
5	n. c.

Connector: 1 x M12



Connection