

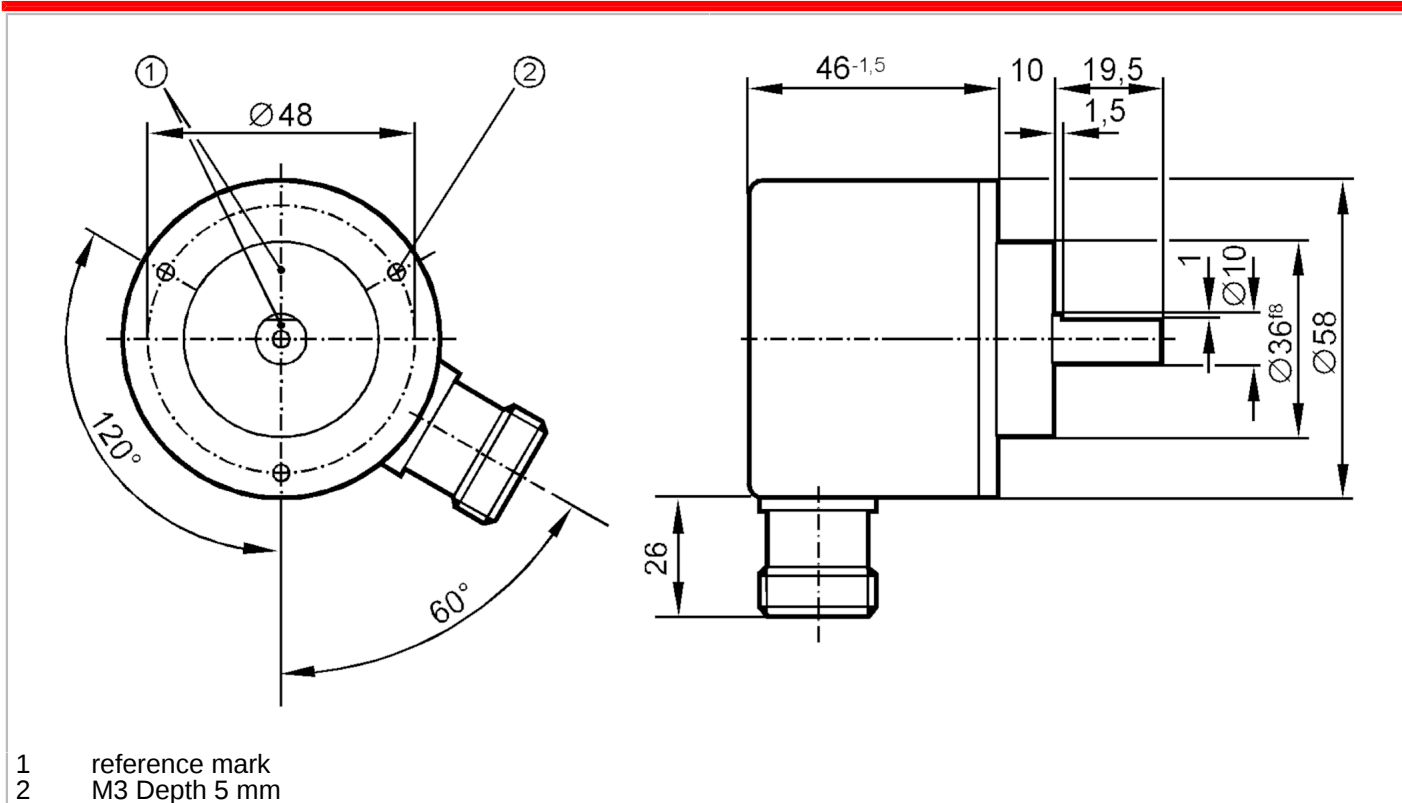
# RV6087



## Incremental encoder with solid shaft

RV-2500-I24/K

Status Archive



Application	
Function principle	incremental
Electrical data	
Operating voltage [V]	10...30 DC
Current consumption [mA]	150
Outputs	
Electrical design	HTL
Max. current load per output [mA]	50
Switching frequency [kHz]	160
Type of short-circuit protection	< 60 s
Phase difference A und B [°]	90
Measuring/setting range	
Resolution	2500 resolution
Operating conditions	
Ambient temperature [°C]	-30...85
Storage temperature [°C]	-30...100
Max. relative air humidity [%]	98
Protection	IP 64

# RV6087



## Incremental encoder with solid shaft

RV-2500-I24/K

### Tests / approvals

Shock resistance		100 g (6 ms)
Vibration resistance		15 g (55...2000 Hz)
MTTF	[years]	190

### Mechanical data

Weight	[g]	400
Dimensions	[mm]	Ø 58 / L = 75.5
Materials		aluminium
Max. revolution, mechanical	[U/min]	12000
Max. starting torque	[Nm]	1
Reference temperature torque	[°C]	20
Shaft design		solid shaft
Shaft diameter	[mm]	10
Shaft material		steel (1.4104)
Max. shaft load axial (at the shaft end)	[N]	10
Max. shaft load radial (at the shaft end)	[N]	20

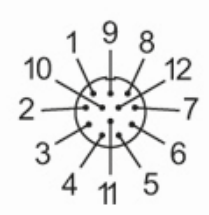
### Remarks

Notes	discontinued article
-------	----------------------

### Electrical connection

- 1 B inverted
- 2 L+ sensor
- 3 0 index
- 4 0 index inverted
- 5 A
- 6 A inverted
- 7 failure inverted
- 8 B
- 9 n.c.
- 10 0V
- 11 0V sensor
- 12 L+

Connector: 1 x M23 (ifm 1001.4), radial



# RV6087

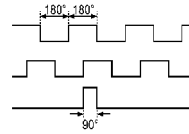


## Incremental encoder with solid shaft

RV-2500-I24/K

### Diagrams and graphs

Pulse diagram



Output A

Output B

0 index

[Status Archive](#)