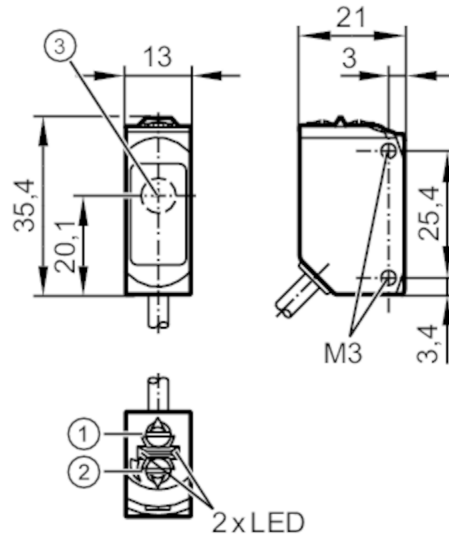


O6E205



Through-beam sensor receiver

O6E-FNKG/0,30m/US



- 1 output function switch
- 2 potentiometer sensitivity
- 3 Light incidence




Application	
Function principle	Through-beam sensor
Electrical data	
Operating voltage [V]	10...30 DC
Current consumption [mA]	7; ((24 V))
Protection class	III
Reverse polarity protection	yes
Type of light	red light
Wave length [nm]	633
Outputs	
Electrical design	NPN
Output function	light-on/dark-on mode; (selectable)
Max. voltage drop switching output DC [V]	2.5
Permanent current rating of switching output DC [mA]	100
Switching frequency DC [Hz]	1000
Short-circuit protection	yes
Type of short-circuit protection	pulsed
Detection zone	
Transmitter / receiver	receiver
Range [m]	< 10
Range adjustable	yes

O6E205



Through-beam sensor receiver

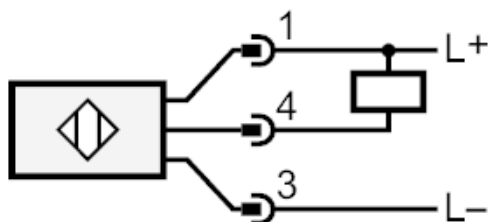
O6E-FNKG/0,30m/US

Operating conditions		
Ambient temperature	[°C]	-25...60
Protection		IP 65; IP 67
Tests / approvals		
EMC		EN 60947-5-2
MTTF	[years]	956
UL approval	UL Approval no.	E012
Mechanical data		
Weight	[g]	33.4
Housing		rectangular
Dimensions	[mm]	35.4 x 13 x 21
Materials		housing: ABS; PPSU; Sealing: EPDM
Lens material		PMMA
Lens alignment		side lens
Tightening torque	[Nm]	0.5
Displays / operating elements		
Display	switching status	1 x LED, yellow
	operation	1 x LED, green
Remarks		
Remarks		operating voltage "supply class 2" according to cULus
Pack quantity		1 pcs.
Electrical connection		
Cable: 0.3 m, PUR; 3 x 0.25 mm ²		
Connector: 1 x M12		
		

Through-beam sensor receiver

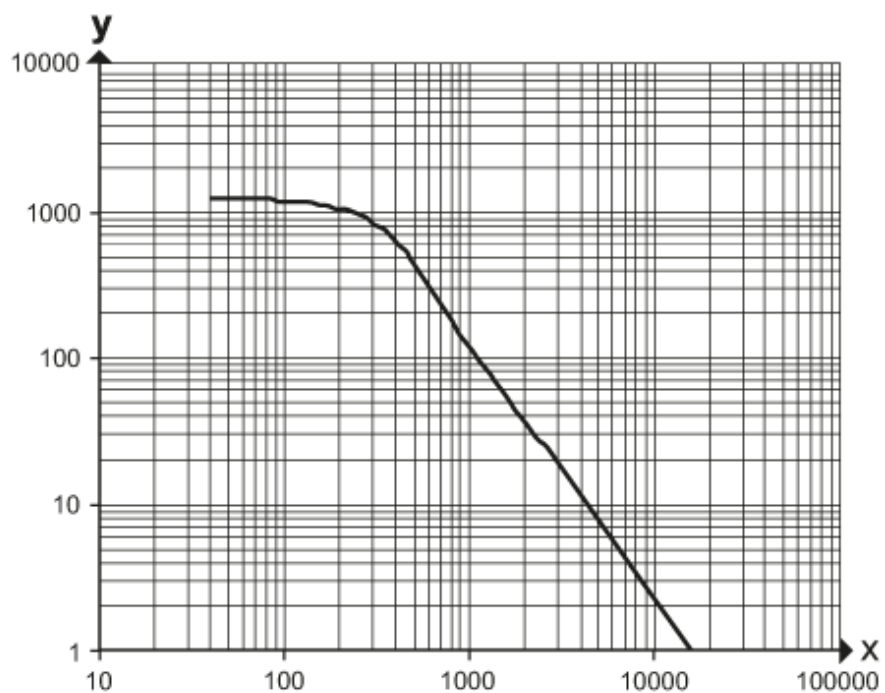
O6E-FNKG/0,30m/US

Connection



Diagrams and graphs

excess gain graph



x: Abstand [mm]

y: Funktionsreservfaktor