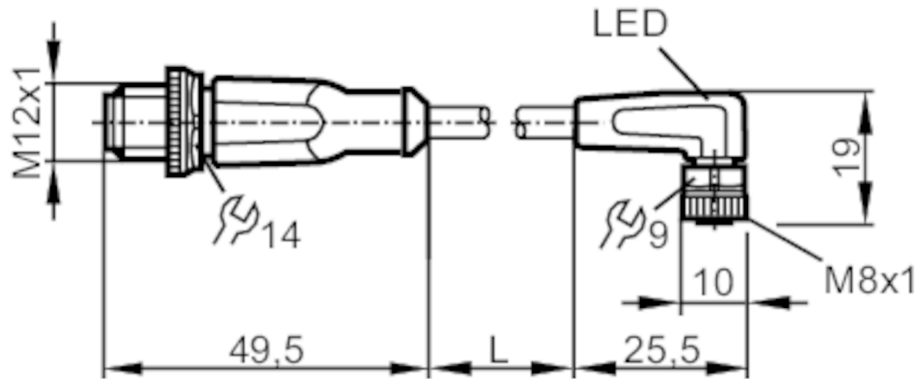


EVC228



Connection cable

VDOAF032MSS0002H03STGH030MSS



Application

Free from silicone yes

Electrical data

Operating voltage [V] 10...36 DC

Protection class III

Max. current load total [A] 3

Outputs

Electrical design PNP

Operating conditions

Ambient temperature [°C] -25...90

Note on ambient temperature cULus: ...75

Ambient temperature (moving) [°C] -25...90

Note on ambient temperature (moving) cULus: ...75

Protection IP 65; IP 67; IP 68; IP 69K

Tests / approvals

MTTF [years] 31710

EVC228



Connection cable

VDOAF032MSS0002H03STGH030MSS

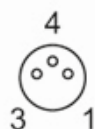
| Mechanical data | | |
|------------------------|--|--|
| Weight [g] | 85.8 | |
| Materials | connector housing: TPU orange; socket housing: TPU black transparent; Sealing: FKM | |
| Material nut | brass / brass | |
| Drag chain suitability | bending radius for flexible use | min. 10 x cable diameter |
| | travel speed | max. 3.3 m/s for a horizontal travel length of 5 m and max. acceleration of 5 m/s ² |
| | bending cycles | > 5 Mio. |
| | torsional strain | ± 180 °/m |
| Drag chain suitability | yes | |

| Displays / operating elements | | |
|-------------------------------|------------------|-----------------|
| Display | switching status | 1 x LED, yellow |
| | operation | 1 x LED, green |

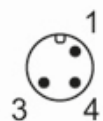
| Remarks | |
|---------------|--------|
| Pack quantity | 1 pcs. |

Electrical connection
Cable: 2 m, PUR, Halogen-free, black, Ø 4.9 mm; 3 x 0.34 mm² (42 x Ø 0.1 mm)

Electrical connection - socket
Connector: 1 x M8, angled; Locking: brass, nickel-plated; Contacts: gold-plated; Tightening torque: 0.3...0.5 Nm



Electrical connection - plug
Connector: 1 x M12, straight; Locking: brass, nickel-plated; Contacts: gold-plated; Tightening torque: 0.6...1.5 Nm



EVC228



Connection cable

VDOAF032MSS0002H03STGH030MSS

Connection

