

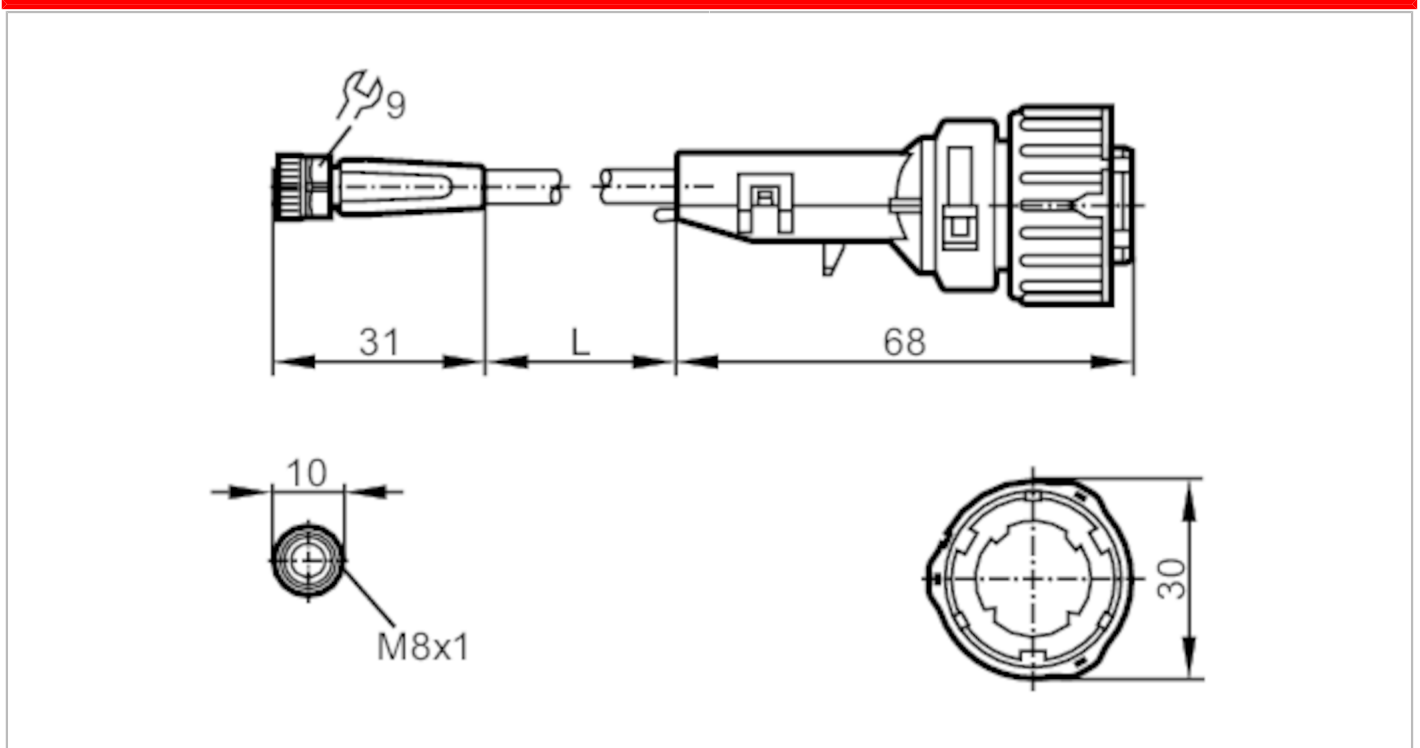
E12247



Connection cable

VDOGF030MSS0005H03DOGR030PLS

Status Archive



Application		
Free from silicone	yes	
Electrical data		
Operating voltage [V]	9.6...30 DC	
Protection class	III	
Max. current load total [A]	3	
Operating conditions		
Ambient temperature [°C]	-25...85	
Protection	IP 67; IP 69K	
Mechanical data		
Weight [g]	124.2	
Dimensions [mm]	10 x 10 x 31	
Materials	housing: TPU orange; Sealing: FKM; housing: Hytrel G-4774 black	
Material nut	brass / brass	
Drag chain suitability	bending radius for flexible use	min. 10 x cable diameter
	travel speed	max. 3.3 m/s for a horizontal travel length of 5 m and max. acceleration of 5 m/s ²
	bending cycles	> 5 Mio.
	torsional strain	± 180 °/m
Drag chain suitability	yes	
Remarks		
Notes	discontinued article	
Pack quantity	1 pcs.	

E12247



Connection cable

VDOGF030MSS0005H03DOGR030PLS

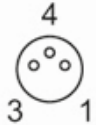
Electrical connection

Cable: 5 m, PUR, Halogen-free, black, Ø 3.7 mm; 3 x 0.25 mm² (32 x Ø 0.1 mm)

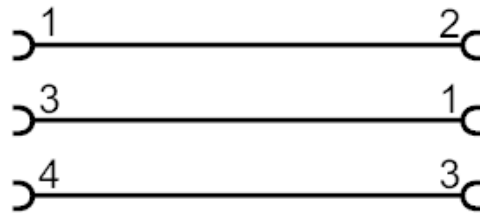
Electrical connection - socket

Connector: 1 x M8, straight; Locking: brass, nickel-plated; Contacts: gold-plated; Tightening torque: 0.3...0.5 Nm

Connector: 1 x bayonet, straight; Locking: brass, nickel-plated; Contacts: gold-plated; Tightening torque: 0.3...0.5 Nm



Connection



Status Archive