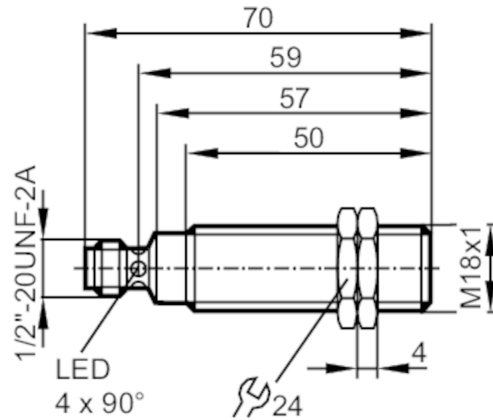


# IGT002



## Inductive sensor

IGK2005-ARKA/M/V4A/LS-104AK




Electrical data	
Operating voltage [V]	20...140 AC/DC
Protection class	II
Reverse polarity protection	yes
Max. power-on delay time [ms]	1000
Outputs	
Output function	normally open
Max. voltage drop switching output DC [V]	5.5
Max. voltage drop switching output AC [V]	5.5
Minimum load current [mA]	5
Max. leakage current [mA]	1
Permanent current rating of switching output AC [mA]	80; (200 (...80 °C))
Permanent current rating of switching output DC [mA]	80; (200 (...80 °C))
Short-time current rating of switching output [mA]	1200; (20 ms / 0,5 Hz)
Switching frequency AC [Hz]	25
Switching frequency DC [Hz]	400
Short-circuit protection	yes
Type of short-circuit protection	pulsed
Overload protection	yes
Detection zone	
Sensing range [mm]	5
Operating distance [mm]	0...4.05
Accuracy / deviations	
Correction factor	steel: 1 / stainless steel: 0.7 / brass: 0.5 / aluminium: 0.4 / copper: 0.3
Hysteresis [% of Sr]	1...20

# IGT002



## Inductive sensor

IGK2005-ARKA/M/V4A/LS-104AK

Operating conditions		
Ambient temperature	[°C]	0...100
Protection		IP 68; IP 69K; ("COP")
Tests / approvals		
EMC	EN 61000-4-2 ESD	4 kV CD / 8 kV AD
	EN 61000-4-3 HF radiated	10 V/m
	EN 61000-4-4 Burst	2 kV
	EN 61000-4-5 Surge	0,5 kV line to line, Ri: 2 Ohm
	EN 61000-4-6 HF conducted	10 V
	EN 55011	class B
MTTF	[years]	394
UL approval	Ta	0...40 °C
	Enclosure type	Type 1
	voltage supply	Unlimited Voltage
	File number UL	E174191
Mechanical data		
Weight	[g]	61.4
Housing		threaded type
Mounting		flush mountable
Dimensions	[mm]	M18 x 1 / L = 70
Thread designation		M18 x 1
Materials		threaded sleeve: stainless steel (1.4404 / 316L); sensing face: PEEK; lock nuts: stainless steel
Displays / operating elements		
Display	switching status	4 x 90° LED, yellow
Accessories		
Accessories (supplied)		lock nuts: 2
Remarks		
Pack quantity		1 pcs.
Electrical connection - plug		
Connector: 1 x 1/2"		
		

# IGT002

## Inductive sensor

IGK2005-ARKA/M/V4A/LS-104AK

