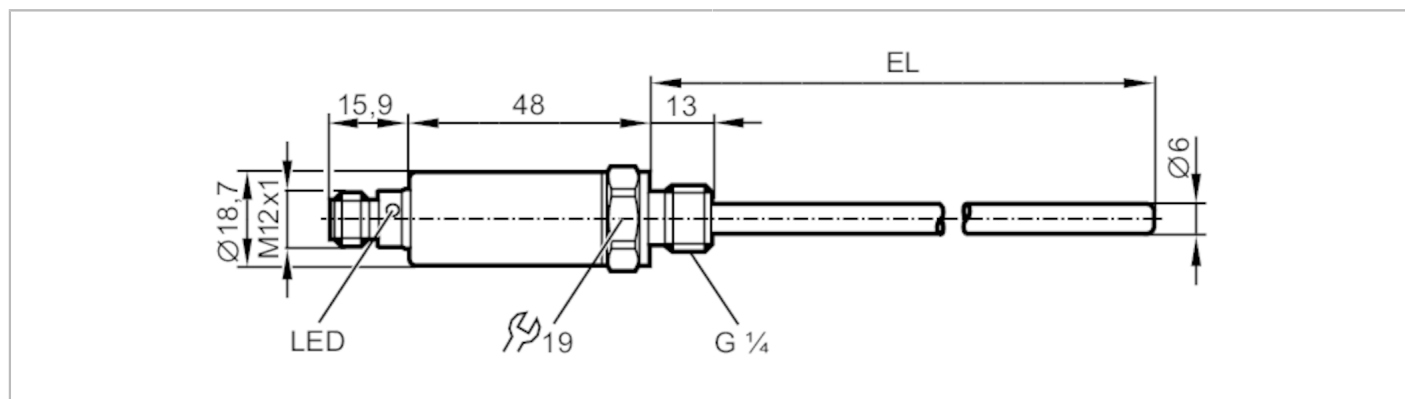


# TA2135



## Temperature transmitter

TA-100CLER14-A-ZVG/US




Application	
Measuring element	1 x Pt 1000; (to DIN EN 60751, class A)
Media	liquids and gases
Pressure rating [bar]	300
Note on pressure rating	sensor When mounted in adapters the specifications of the adapter data sheet apply.
Electrical data	
Operating voltage [V]	18...32 DC; ("supply class 2" to cULus)
Current consumption [mA]	< 50
Protection class	III
Reverse polarity protection	yes
Power-on delay time [s]	1
Outputs	
Total number of outputs	1
Output signal	analogue signal; IO-Link; (configurable)
Number of analogue outputs	1
Analogue current output [mA]	4...20
Max. load [ $\Omega$ ]	250; ((18...19 V); 19...32 V: 300 $\Omega$ )
Short-circuit protection	yes
Overload protection	yes
Measuring/setting range	
Measuring range [ $^{\circ}\text{C}$ ]	-50...150
Factory setting	-50...150 $^{\circ}\text{C}$
Resolution	
Resolution of analogue output [K]	0.04
Accuracy / deviations	
Precision analogue output [K]	$\pm 0,3 + (\pm 0,1 \% \text{ MS})$
Temperature coefficient [% of the span / 10 K]	0,1; (in case of deviation from the reference condition $25 \pm 5 \text{ }^{\circ}\text{C}$ )
Response times	
Dynamic response T05 / T09 [s]	1 / 3

# TA2135



## Temperature transmitter

TA-100CLER14-A-ZVG/US

Interfaces		
Communication interface	IO-Link	
Transmission type	COM2 (38,4 kBaud)	
IO-Link revision	1.1	
Operating conditions		
Ambient temperature	[°C]	-25...80
Storage temperature	[°C]	-40...100
Protection	IP 67; IP 68; IP 69K	
Tests / approvals		
EMC	DIN EN 61000-6-2	
Shock resistance	DIN IEC 68-2-27	50 g (11 ms)
Vibration resistance	DIN IEC 68-2-6	20 g (10...2000 Hz)
MTTF	[years]	572
UL approval	UL Approval no.	K002
Mechanical data		
Weight	[g]	93.5
Dimensions	[mm]	Ø 18.7
Materials	stainless steel (1.4404 / 316L); PEI; FKM	
Materials (wetted parts)	stainless steel (1.4404 / 316L); O-ring: FKM	
Process connection	threaded connection G 1/4	
Probe diameter	[mm]	6
Installation length EL	[mm]	100
Displays / operating elements		
Display	operating status	1 x LED, green
Remarks		
Remarks	MS = set measuring span	
Pack quantity	1 pcs.	
Electrical connection		
Connector: 1 x M12; Contacts: gold-plated		
		

# TA2135



## Temperature transmitter

TA-100CLER14-A-ZVG/US

### Connection

