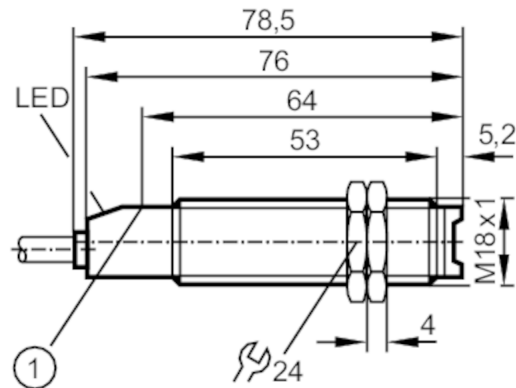




## Through-beam sensor receiver

OGE-HBOA



1 pushbutton



### Application

Function principle Through-beam sensor

### Electrical data

Frequency AC	[Hz]	47...63
Operating voltage	[V]	20...250 AC/DC
Protection class		II
Reverse polarity protection		no
Type of light		infrared light
Wave length	[nm]	880

### Outputs

Output function		light-on mode
Max. voltage drop switching output DC	[V]	8
Max. voltage drop switching output AC	[V]	8
Minimum load current	[mA]	5
Max. leakage current	[mA]	1.7
Permanent current rating of switching output AC	[mA]	90; (180 (...40 °C))
Permanent current rating of switching output DC	[mA]	90; (180 (...40 °C))
Short-time current rating of switching output	[mA]	600; (20 ms / 0,5 Hz)
Switching frequency AC	[Hz]	25
Switching frequency DC	[Hz]	25
Short-circuit proof		no
Overload protection		no

### Detection zone

Transmitter / receiver		receiver
Range	[m]	< 15
Range adjustable		yes

# OG0029



## Through-beam sensor receiver

OGE-HBOA

Operating conditions		
Ambient temperature	[°C]	-25...80
Protection		IP 67
Tests / approvals		
EMC		EN 60947-5-2
		EN 55011
		class B
MTTF	[years]	334
Mechanical data		
Weight	[g]	138.8
Housing		threaded type
Dimensions	[mm]	M18 x 1 / L = 78.5
Thread designation		M18 x 1
Materials		PBT
Lens material		PMMA
Displays / operating elements		
Display	switching status	1 x LED, red
	function	1 x LED, red flashing light
Electrical connection		
Required protection		miniature fuse to IEC60127-2 sheet 1; ≤ 2 A; fast acting
Accessories		
Accessories (supplied)		lock nuts: 2 x
Remarks		
Remarks		Recommendation: Check the safe functioning of the unit after a short circuit.
Pack quantity		1 pcs.

# OG0029



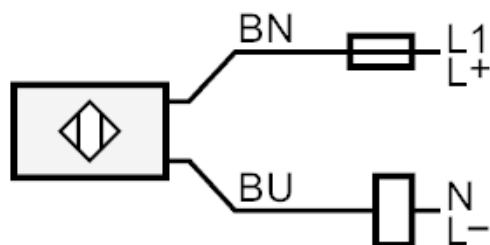
## Through-beam sensor receiver

OGE-HBOA

### Electrical connection

Cable: 2 m, PVC; 2 x 0.5 mm<sup>2</sup>

### Connection



Note : miniature fuse to IEC60127-2 sheet 1 ≤ 2 A fast acting

Core colours :

BN = brown

BU = blue



## Through-beam sensor receiver

OGE-HBOA

### Diagrams and graphs

excess gain graph

