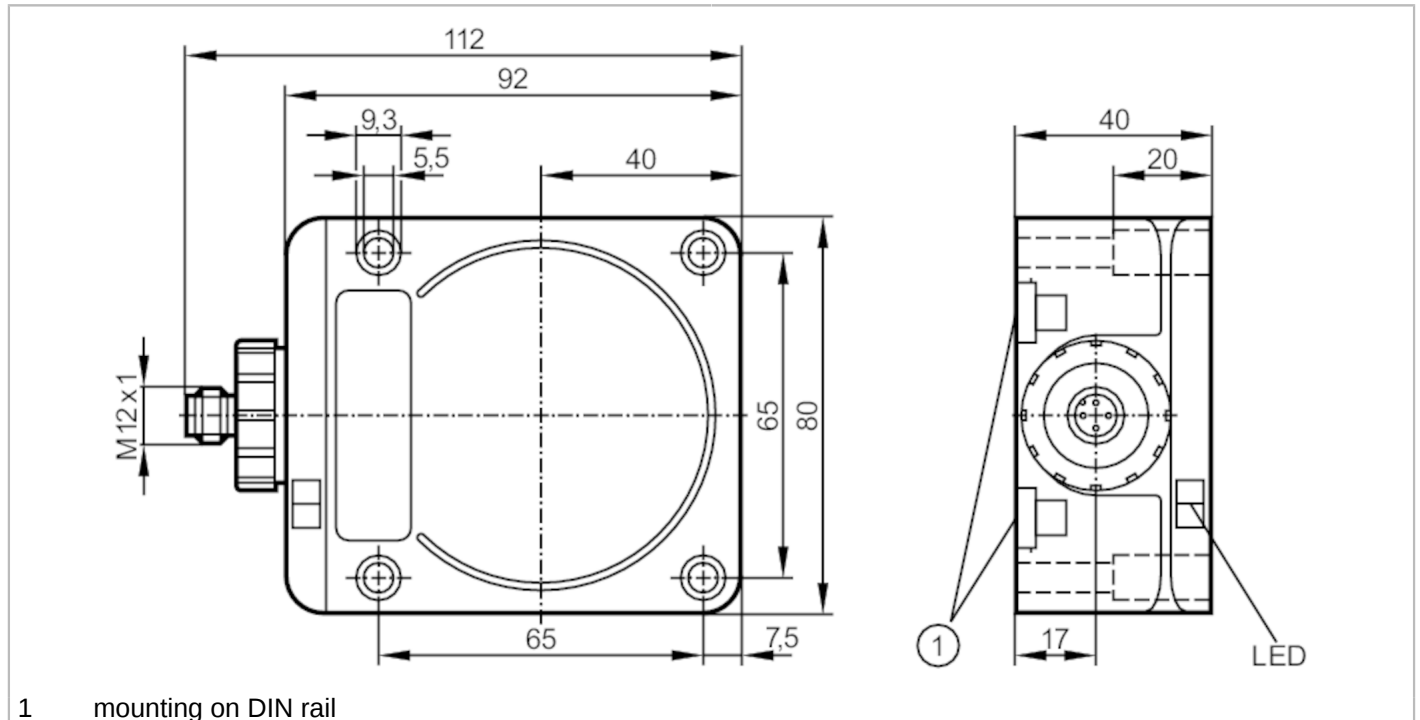




Inductive sensor

IDC2050BABOA/SL/LS100-FK



Electrical data

Operating voltage	[V]	20...250 AC/DC
Protection class		I
Reverse polarity protection		no

Outputs

Output function		normally open
Max. voltage drop switching output DC	[V]	6
Max. voltage drop switching output AC	[V]	6.5
Minimum load current	[mA]	5
Max. leakage current	[mA]	0.8
Permanent current rating of switching output AC	[mA]	250; (350 (...50 °C))
Permanent current rating of switching output DC	[mA]	100
Short-time current rating of switching output	[mA]	2200; (20 ms / 0,5 Hz)
Switching frequency AC	[Hz]	25
Switching frequency DC	[Hz]	25
Short-circuit proof		no
Overload protection		no

Detection zone

Sensing range	[mm]	50
Operating distance	[mm]	0...40.5; (mounted flush with mild steel (ST37))



Inductive sensor

IDC2050BABOA/SL/LS100-FK

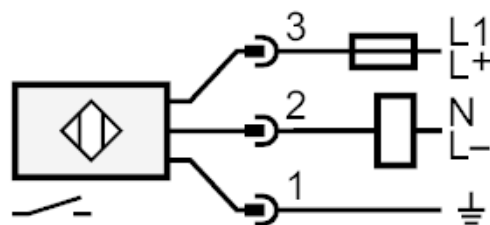
Accuracy / deviations		
Correction factor	steel: 1 / stainless steel: 0.85 / brass: 0.48 / aluminium: 0.46 / copper: 0.38	
Hysteresis	[% of Sr]	3...20
Switch point drift	[% of Sr]	-15...15
Operating conditions		
Ambient temperature	[°C]	-25...70
Protection	IP 67	
Tests / approvals		
EMC	EN 60947-5-2	
	EN 55011	class B
MTTF	[years]	596
Mechanical data		
Weight	[g]	426
Housing	rectangular	
Mounting	flush mountable	
Type of mounting	rail; (TH35 (EN 60715))	
Dimensions	[mm]	92 x 80 x 40
Materials	PPE modified	
Displays / operating elements		
Display	switching status	1 x LED, yellow
Electrical connection		
Required protection	miniature fuse to IEC60127-2 sheet 1; ≤ 2 A; fast acting	
Accessories		
Accessories (supplied)	sealing plug: 1	
Remarks		
Remarks	Recommendation: Check the safe functioning of the unit after a short circuit.	
Pack quantity	1 pcs.	
Electrical connection - plug		
Connector: 1 x M12		



ID0049

Inductive sensor

IDC2050BABOA/SL/LS100-FK



Note miniature fuse to IEC60127-2 sheet 1 \leq 2 A fast acting