

# PE2092



## Pressure sensor with display

PE-100-SER14-MFRKG/US/ E



- 1 alphanumeric display 4-digit red/green
- 2 LEDs Display unit / switching status
- 3 programming button
- 4 upper part of the housing can be rotated 345°

### Application

Measuring element	ceramic-capacitive pressure measuring cell		
Application	for industrial applications		
Media	group 2 fluids according to the Pressure Equipment Directive (PED); group 1 fluids on request		
Medium temperature [°C]	-25...80		
Pressure rating	300 bar	4350 psi	30 MPa
Min. bursting pressure	650 bar	9400 psi	65 MPa
Vacuum resistance [mbar]	-1000		
Type of pressure	relative pressure		

### Electrical data

Operating voltage [V]	18...30 DC; (according to EN 50178 SELV/PELV)		
Current consumption [mA]	< 35		
Min. insulation resistance [MΩ]	100; (500 V DC)		
Protection class	III		
Reverse polarity protection	yes		
Power-on delay time [s]	0.3		
Integrated watchdog	yes		



## Pressure sensor with display

PE-100-SER14-MFRKG/US/ /E

Outputs			
Total number of outputs		2	
Output signal		switching signal; analogue signal; IO-Link; (configurable)	
Electrical design		PNP/NPN	
Number of digital outputs		2	
Output function		normally open / normally closed; (parameterisable)	
Max. voltage drop switching output DC	[V]	2	
Permanent current rating of switching output DC	[mA]	250	
Switching frequency DC	[Hz]	< 500	
Number of analogue outputs		1	
Analogue current output	[mA]	4...20; (scalable 1:5)	
Max. load	[Ω]	500	
Analogue voltage output	[V]	0...10; (scalable 1:5)	
Min. load resistance	[Ω]	2000	
Short-circuit protection		yes	
Type of short-circuit protection		pulsed	
Overload protection		yes	
Measuring/setting range			
Measuring range		0...100 bar	0...1450 psi
			0...10 MPa
Set point SP		0.6...100 bar	10...1450 psi
			0.06...10 MPa
Reset point rP		0.2...99.6 bar	4...1444 psi
			0.02...9.96 MPa
Analogue start point		0...80 bar	0...1160 psi
			0...8 MPa
Analogue end point		20...100 bar	290...1450 psi
			2...10 MPa
In steps of		0.2 bar	2 psi
			0.02 MPa
Accuracy / deviations			
Switch point accuracy	[% of the span]	< ± 0,4; (Turn down 1:1)	
Repeatability	[% of the span]	< ± 0,1; (with temperature fluctuations < 10 K; Turn down 1:1)	
Characteristics deviation	[% of the span]	< ± 0,25 (BFSL) / < ± 0,5 (LS); (Turn down 1:1; BFSL = Best Fit Straight Line; LS = limit value setting)	
Hysteresis deviation	[% of the span]	< ± 0,1; (Turn down 1:1)	
Long-term stability	[% of the span]	< ± 0,05; (Turn down 1:1; per 6 months)	
Temperature coefficient zero point	[% of the span / 10 K]	0,2; (-25...80 °C)	
Temperature coefficient span	[% of the span / 10 K]	0,2; (-25...80 °C)	

# PE2092



## Pressure sensor with display

PE-100-SER14-MFRKG/US/ E

Response times		
Response time	[ms]	< 1.5
Delay time programmable dS, dr	[s]	0...50
Damping for the switching output dAP	[s]	0...4
Damping for the analogue output dAA	[s]	0...4
Max. response time analogue output	[ms]	3
Software / programming		
Parameter setting options	hysteresis / window; normally open / normally closed; switch-on/ switch-off delay; Damping; Display unit; current/voltage output	
Interfaces		
Communication interface	IO-Link	
Transmission type	COM2	
IO-Link revision	1.1	
SDCI standard	IEC 61131-9	
IO-Link device ID	461 d / 00 01 cd h	
Profiles	Smart Sensor: Process Data Variable; Device Identification, Device Diagnosis	
SIO mode	yes	
Required master port type	A	
Process data analogue	1	
Process data binary	2	
Min. process cycle time	[ms]	2.3
Operating conditions		
Ambient temperature	[°C]	-25...80
Storage temperature	[°C]	-40...100
Protection	IP 65; IP 67	
Tests / approvals		
EMC	DIN EN 61000-6-2	
	DIN EN 61000-6-3	
Shock resistance	DIN EN 60068-2-27	50 g (11 ms)
Vibration resistance	DIN EN 60068-2-6	20 g (10...2000 Hz)
MTTF	[years]	161
UL approval	UL Approval no.	J013
Pressure Equipment Directive	Sound Engineering Practice; can be used for group 2 fluids; group 1 fluids on request	
Mechanical data		
Weight	[g]	272.4
Materials	stainless steel (1.4404 / 316L); PBT+PC-GF30; PBT-GF20; PC	
Materials (wetted parts)	stainless steel (1.4404 / 316L); Al2O3 (99.9 %; ceramics); EPDM	
Min. pressure cycles	100 million	
Tightening torque	[Nm]	25...35; (recommended tightening torque; depends on lubrication, seal and pressure rating)
Process connection	threaded connection G 1/4 internal thread	
Restrictor element integrated	no (can be retrofitted)	

# PE2092



## Pressure sensor with display

PE-100-SER14-MFRKG/US/ E

Displays / operating elements		
Display	Display unit	3 x LED, green (bar, psi, MPa)
	switching status	2 x LED, yellow
	measured values	alphanumeric display, red/green 4-digit

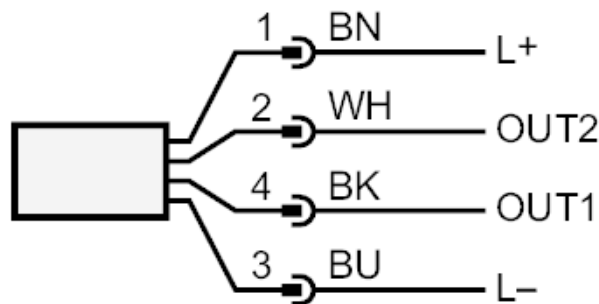
Remarks	
Pack quantity	1 pcs.

### Electrical connection

Connector: 1 x M12; Contacts: gold-plated



### Connection



- OUT1            switching output or IO-Link
  - OUT2            switching output or analogue output
- colours to DIN EN 60947-5-2
- Core colours :
- BK =            black
  - BN =            brown
  - BU =            blue
  - WH =            white