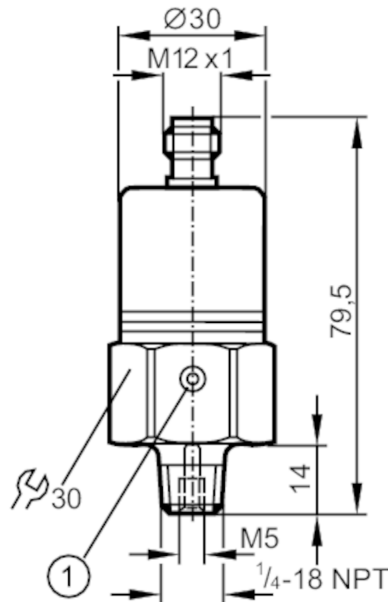


# PX9116



## Pressure transmitter with ceramic measuring cell

PA-003PRBN14-B-DVG/US/ IV



1 ventilation



Application		
Media		liquids and gases
Medium temperature	[°C]	-25...90
Pressure rating	[psi]	290
Min. bursting pressure	[psi]	725
Type of pressure		relative pressure
Electrical data		
Operating voltage	[V]	16...32 DC
Current consumption	[mA]	< 18
Min. insulation resistance	[MΩ]	100; (500 V DC)
Protection class		III
Reverse polarity protection		yes
Inputs / outputs		
Number of inputs and outputs		Number of analogue outputs: 1
Outputs		
Total number of outputs		1
Output signal		analogue signal
Number of analogue outputs		1
Analogue voltage output	[V]	0...10
Min. load resistance	[Ω]	2000
Overload protection		yes
Measuring/setting range		
Measuring range	[psi]	0...30

# PX9116



## Pressure transmitter with ceramic measuring cell

PA-003PRBN14-B-DVG/US/ IV

Accuracy / deviations		
Repeatability [% of the span]	< 0,15; (with temperature fluctuations < 10 K)	
Characteristics deviation [% of the span]	< ± 0,35 (BFSL) / < ± 0,75 (LS); (BFSL = Best Fit Straight Line; LS = limit value setting)	
Long-term stability [% of the span]	< ± 0,05; (per 6 months)	
Temperature coefficient zero point [% of the span / 10 K]	0,2; (0...80 °C)	
Temperature coefficient span [% of the span / 10 K]	0,3; (0...80 °C)	
Response times		
Step response time analogue output [ms]	3	
Operating conditions		
Ambient temperature [°C]	-25...80	
Storage temperature [°C]	-40...100	
Protection	IP 65	
Tests / approvals		
EMC	EN 61000-4-2 ESD	4 kV CD / 8 kV AD
	EN 61000-4-3 HF radiated	30 V/m
	EN 61000-4-4 Burst	2 kV
	EN 61000-4-6 HF conducted	10 V
	radiation of interference	according to the automotive directive 2004/104/EC / CISPR 25
	noise immunity	according to the automotive directive 2004/104/EC / ISO 11452-2
	HF radiated	100 V/m
pulse resistance	ISO 7637-2 / severity level 3	
Shock resistance	DIN IEC 68-2-27	50 g (11 ms)
Vibration resistance	DIN IEC 68-2-6	20 g (10...2000 Hz)
Mechanical data		
Weight [g]	210.4	
Materials	stainless steel (1.4404 / 316L); FKM; PA; EPDM/X	
Materials (wetted parts)	stainless steel (1.4305 / 303); ceramics; FKM	
Min. pressure cycles	100 million	
Process connection	threaded connection 1/4 NPT external thread internal threadM5	
Remarks		
Pack quantity	1 pcs.	
Electrical connection		
Connector: 1 x M12; Contacts: gold-plated		

# PX9116



## Pressure transmitter with ceramic measuring cell

PA-003PRBN14-B-DVG/US/ IV



### Connection

