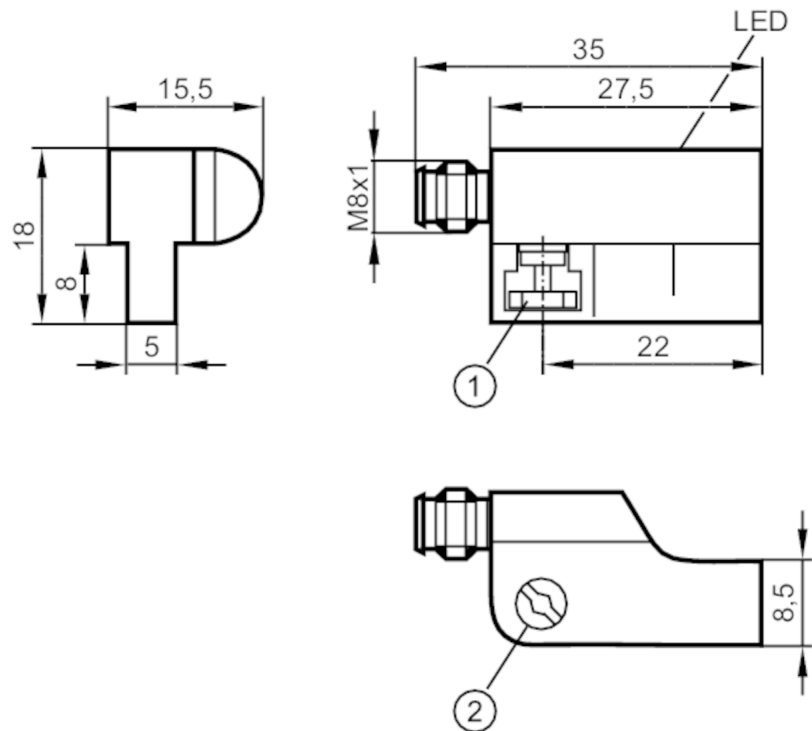


MK5902



T-slot cylinder sensor

MKI3020-ANKG/A/AS



- 1 Fixing element
2 combined head screw for fixing element



Electrical data

Operating voltage	[V]	10...30 DC; ("supply class 2" to cULus)
Current consumption	[mA]	< 10
Protection class		III
Reverse polarity protection		yes
Max. power-on delay time	[ms]	30

Outputs

Electrical design		NPN
Output function		normally open
Max. voltage drop switching output DC	[V]	2.5
Permanent current rating of switching output DC	[mA]	100
Switching frequency DC	[Hz]	6000
Short-circuit protection		yes
Overload protection		yes

Detection zone

Response sensitivity	[mT]	2
Travel speed	[m/s]	> 10

Accuracy / deviations


Hysteresis	[mm]	< 1
Repeatability	[mm]	< 0.2

MK5902



T-slot cylinder sensor

MKI3020-ANKG/A/AS

Operating conditions		
Ambient temperature	[°C]	-25...85
Protection		IP 65; IP 67
Tests / approvals		
EMC	EN 61000-4-2 ESD	- CD / 8 kV AD
	EN 61000-4-3 HF radiated	10 V/m
	EN 61000-4-4 Burst	2 kV
	EN 61000-4-6 HF conducted	10 V
	EN 55011	class B
MTTF	[years]	1961
Mechanical data		
Weight	[g]	12.4
Mounting		non-flush mountable
Type of mounting		fixing element with combined head slot / hexagon socket AF 1.5
Cylinder type		T-slot cylinders
Dimensions	[mm]	27.5 x 18 x 15.5
Materials		housing: PA; Fixing element: stainless steel / brass
Displays / operating elements		
Display	switching status	1 x LED, yellow
Accessories		
Accessories (supplied)		rubber placeholder: 1
Remarks		
Pack quantity		1 pcs.
Electrical connection - plug		
Connector: 1 x M8; Locking: snap-fit		
		

MK5902



T-slot cylinder sensor

MKI3020-ANKG/A/AS

Connection

