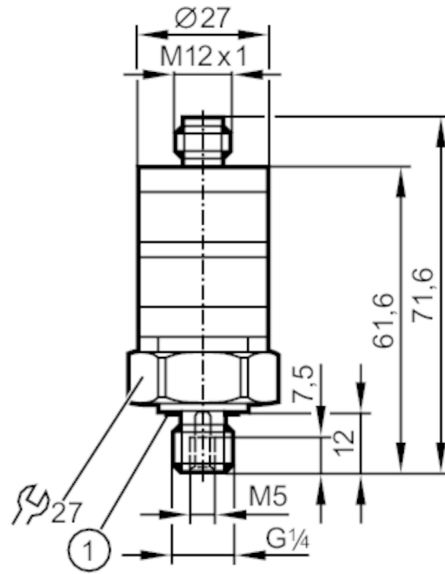


PK6531



Pressure switch with intuitive switch point setting

PK-250-SFG14-HCPKG/US/ IW



1 Sealing



Application	
Media	liquids and gases
Medium temperature [°C]	-25...80
Pressure rating	400 bar / 40 MPa
Min. bursting pressure	1000 bar / 100 MPa
Type of pressure	relative pressure
Electrical data	
Operating voltage [V]	9.6...32 DC
Current consumption [mA]	< 25
Min. insulation resistance [MΩ]	100; (500 V DC)
Protection class	III
Reverse polarity protection	yes
Outputs	
Total number of outputs	2
Output signal	switching signal
Electrical design	PNP
Number of digital outputs	2
Output function	complementary
Max. voltage drop switching output DC [V]	2
Permanent current rating of switching output DC [mA]	500
Switching frequency DC [Hz]	100
Short-circuit protection	yes
Type of short-circuit protection	pulsed
Overload protection	yes

PK6531



Pressure switch with intuitive switch point setting

PK-250-SFG14-HCPKG/US/ IW

Measuring/setting range		
Measuring range	0...250 bar	0...25 MPa
Set point SP	12.5...250 bar	1.25...25 MPa
Reset point rP	7.5...245 bar	0.75...24.5 MPa
Accuracy / deviations		
Switch point accuracy [% of the final value]	< ± 2,5; (Setting accuracy)	
Repeatability [% of the final value]	< ± 0,5; (with temperature fluctuations < 10 K)	
Characteristics deviation [% of the final value]	< ± 1,5 (BFSL) / < ± 2,5 (LS); (BFSL = Best Fit Straight Line; LS = limit value setting)	
Temperature drift per 10 K	< ± 0,5	
Temperature drift per 10 K	< ± 0.5	
Software / programming		
Adjustment of the switch point	setting rings	
Operating conditions		
Ambient temperature [°C]	-25...80	
Storage temperature [°C]	-40...100	
Protection	IP 67	
Tests / approvals		
EMC	EN 61000-4-2 ESD	4 kV CD / 8 kV AD
	EN 61000-4-3 HF radiated	10 V/m
	EN 61000-4-4 Burst	2 kV
	EN 61000-4-5 Surge	1 kV signal for DC units
	EN 61000-4-6 HF conducted	10 V
Shock resistance	DIN IEC 68-2-27	50 g (11 ms)
Vibration resistance	DIN IEC 68-2-6	20 g (10...2000 Hz)
MTTF [years]	500	
Mechanical data		
Weight [g]	94.2	
Materials	PBT; PC; FKM; stainless steel (1.4404 / 316L)	
Materials (wetted parts)	stainless steel (1.4404 / 316L); FKM	
Min. pressure cycles	50 million	
Tightening torque [Nm]	25	
Process connection	threaded connection G 1/4 external thread internal threadM5	
Displays / operating elements		
Display	operation	LED, green
	switching status	LED, yellow
With scale	yes	
Remarks		
Pack quantity	1 pcs.	
Electrical connection		
Connector: 1 x M12		

PK6531



Pressure switch with intuitive switch point setting

PK-250-SFG14-HCPKG/US/ IW



Connection

