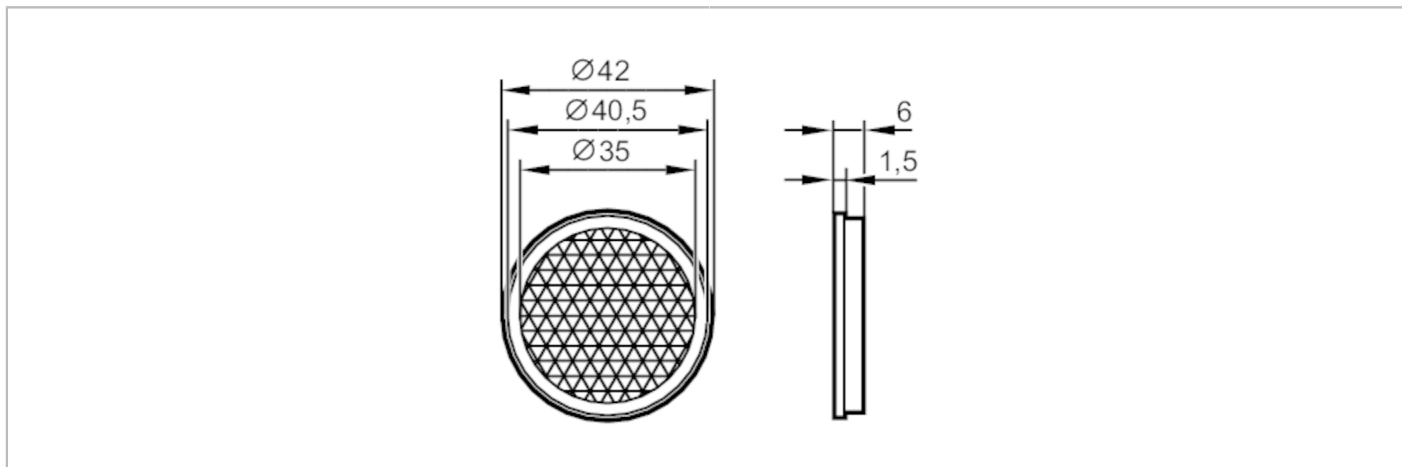


E20004



Reflector for retro-reflective sensors

REFLECTOR TS-40



Application

Design	round
Installation	sticking to a surface

Operating conditions

Ambient temperature	[°C]	-10...60
---------------------	------	----------

Mechanical data

Weight	[g]	7.6
Dimensions	[mm]	Ø 42
Materials		plastics

Remarks

Pack quantity		1 pcs.
---------------	--	--------