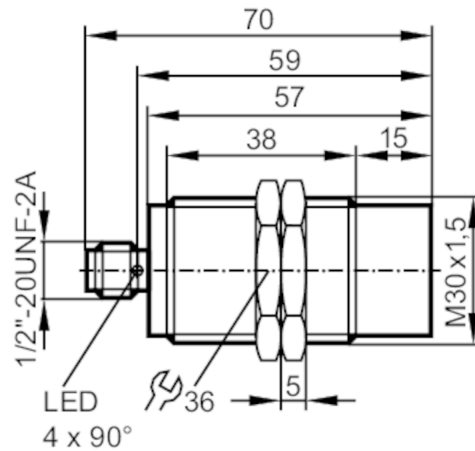




Inductive sensor

IHK2022-ARKA/M/V4A/LS-104-AK



Electrical data

| | | |
|-----------------------------|------|----------------|
| Operating voltage | [V] | 20...140 AC/DC |
| Protection class | | II |
| Reverse polarity protection | | yes |
| Max. power-on delay time | [ms] | 1000 |

Outputs

| | | |
|---|------|---------------------------------------|
| Output function | | normally open |
| Max. voltage drop switching output DC | [V] | 5.5 |
| Max. voltage drop switching output AC | [V] | 5.5 |
| Minimum load current | [mA] | 5 |
| Max. leakage current | [mA] | 1 |
| Permanent current rating of switching output AC | [mA] | 80; (200 (...80 °C)) |
| Permanent current rating of switching output DC | [mA] | 80; (200 (...80 °C)) |
| Short-time current rating of switching output | [mA] | 1200; (20ms / 0,5Hz / 80 mA (> 80°C)) |
| Switching frequency AC | [Hz] | 25 |
| Switching frequency DC | [Hz] | 100 |
| Short-circuit protection | | yes |
| Type of short-circuit protection | | pulsed |
| Overload protection | | yes |

Detection zone


| | | |
|-----------------------|------|-----------|
| Sensing range | [mm] | 22 |
| Real sensing range Sr | [mm] | 22 ± 10 % |
| Operating distance | [mm] | 0...17.82 |

IIT002



Inductive sensor

IHK2022-ARKA/M/V4A/LS-104-AK

| Accuracy / deviations | | |
|---|---|---------------------|
| Correction factor | steel: 1 / stainless steel: 0.7 / brass: 0.5 / aluminium: 0.4 / copper: 0.3 | |
| Hysteresis [% of Sr] | 3...15 | |
| Switch point drift [% of Sr] | -10...10 | |
| Operating conditions | | |
| Ambient temperature [°C] | 0...100 | |
| Protection | IP 68; IP 69K; ("COP") | |
| Tests / approvals | | |
| EMC | EN 61000-4-2 ESD | 4 kV CD / 8 kV AD |
| | EN 61000-4-3 HF radiated | 10 V/m |
| | EN 61000-4-4 Burst | 2 kV |
| | EN 61000-4-6 HF conducted | 10 V |
| | EN 55011 | class B |
| MTTF [years] | 378 | |
| UL approval | Ta | 0...40 °C |
| | Enclosure type | Type 1 |
| | voltage supply | Unlimited Voltage |
| | File number UL | E174191 |
| Mechanical data | | |
| Weight [g] | 140.8 | |
| Housing | threaded type | |
| Mounting | non-flush mountable | |
| Dimensions [mm] | M30 x 1.5 / L = 70 | |
| Thread designation | M30 x 1.5 | |
| Materials | stainless steel (1.4404 / 316L); PEEK | |
| Displays / operating elements | | |
| Display | switching status | 4 x 90° LED, yellow |
| Accessories | | |
| Accessories (supplied) | lock nuts: 2 | |
| Remarks | | |
| Pack quantity | 1 pcs. | |
| Electrical connection - plug | | |
| Connector: 1 x 1/2"; Contacts: gold-plated | | |
|  | | |

IIT002

Inductive sensor

IHK2022-ARKA/M/V4A/LS-104-AK

