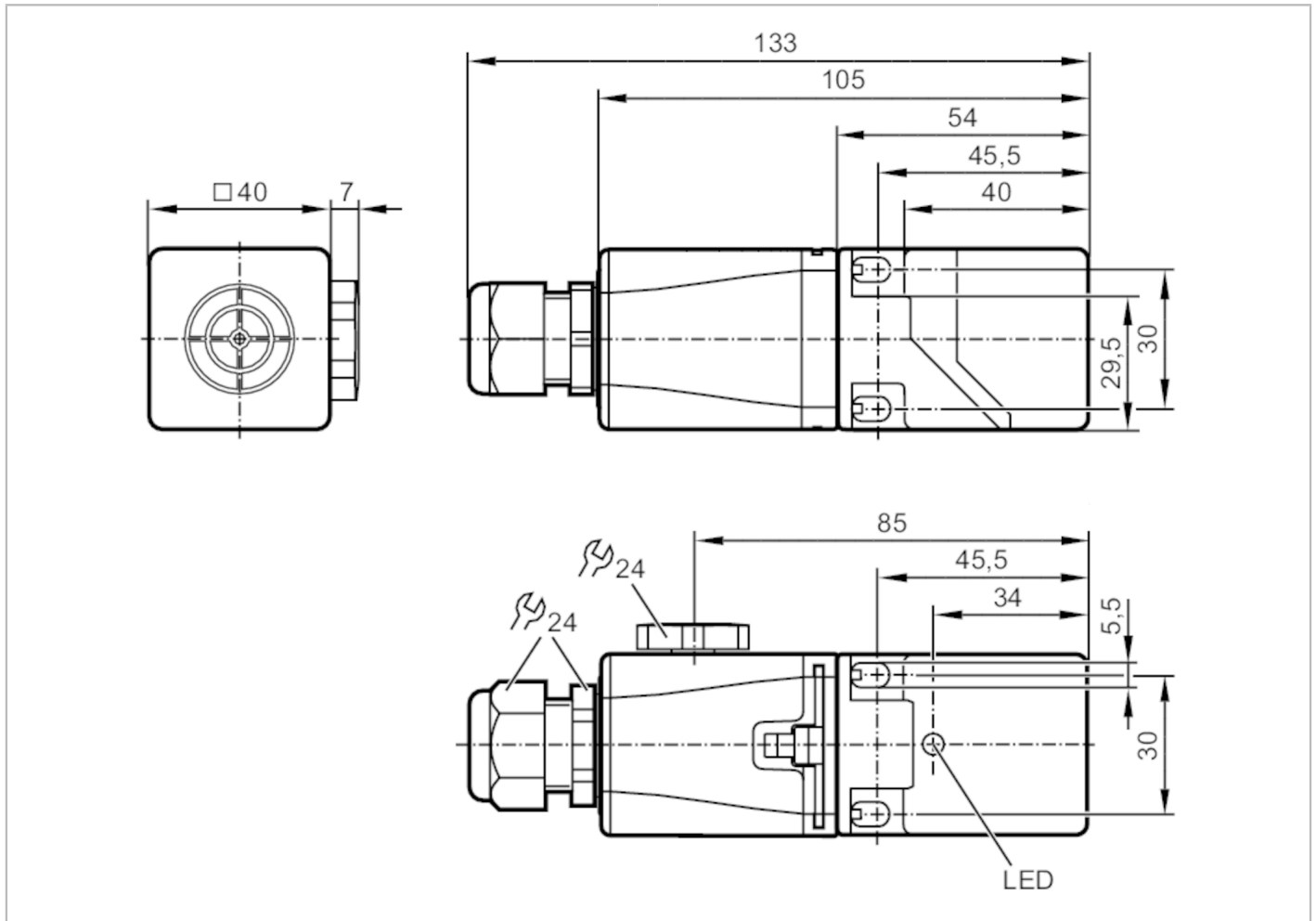


IM002A



Inductive sensor

IME2040-FBOA/3D



Electrical data


Operating voltage	[M]	20...250 AC/DC
Protection class		II
Reverse polarity protection		no

IM002A



Inductive sensor

IME2040-FBOA/3D

Outputs		
Output function		normally open / normally closed; (selectable)
Max. voltage drop switching output DC [V]		6
Max. voltage drop switching output AC [V]		6.5
Minimum load current [mA]		5
Max. leakage current [mA]		2.5 (250 V AC) / 1.3 (130 V AC) / 0.8 (24 V DC)
Permanent current rating of switching output AC [mA]		150
Permanent current rating of switching output DC [mA]		100
Short-time current rating of switching output [mA]		2200; (20 ms / 0,5 Hz)
Switching frequency AC [Hz]		10
Switching frequency DC [Hz]		10
Notes on switching frequency		only for resistive loads; 2 Hz for utilisation category AC-140
Short-circuit proof		no
Overload protection		no
Detection zone		
Sensing range [mm]		40
Real sensing range Sr [mm]		40 ± 10 %
Operating distance [mm]		0...32.4
Accuracy / deviations		
Correction factor		steel: 1 / stainless steel: 0.7 / brass: 0.4 / aluminium: 0.3 / copper: 0.2
Hysteresis [% of Sr]		1...20
Switch point drift [% of Sr]		-10...10
Operating conditions		
Ambient temperature [°C]		-20...60
Protection		IP 65; IP 67
Tests / approvals		
ATEX marking		 II 3D Ex tc IIIC T95°C Dc X
EMC		EN 60947-5-2
MTTF [years]		554
Mechanical data		
Weight [g]		246
Housing		rectangular
Mounting		non-flush mountable
Dimensions [mm]		40 x 40 x 105
Materials		PC; PA; stainless steel
Displays / operating elements		
Display	switching status	1 x LED, yellow
Electrical connection		
Required protection		miniature fuse to IEC60127-2 sheet 1; ≤ 2 A; fast acting; Place the fuse outside the hazardous area.

IM002A



Inductive sensor

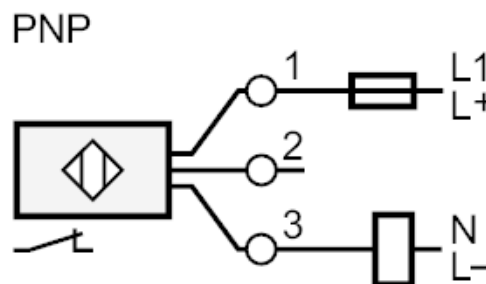
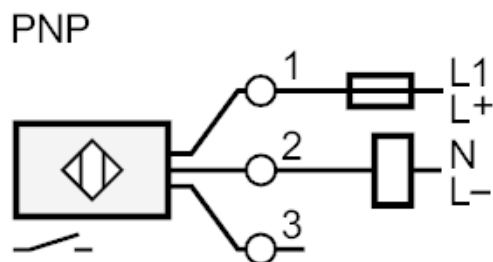
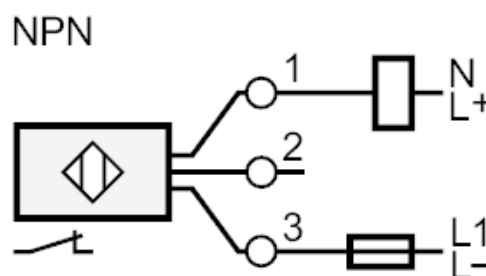
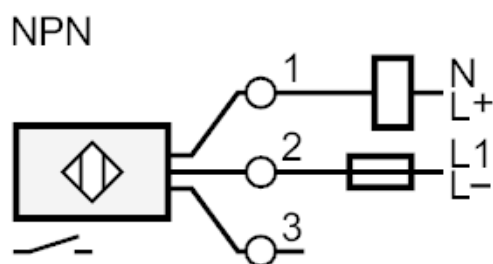
IME2040-FBOA/3D

Remarks	
Remarks	Recommendation: Check the safe functioning of the unit after a short circuit. 5 positions of the active zone possible
Pack quantity	1 pcs.

Electrical connection

terminals: 0.34...2.5 mm²; Cable sheath: Ø 5...9 mm

Connection



Note miniature fuse to IEC60127-2 sheet 1 ≤ 2 A fast acting
Place the fuse outside the hazardous area.