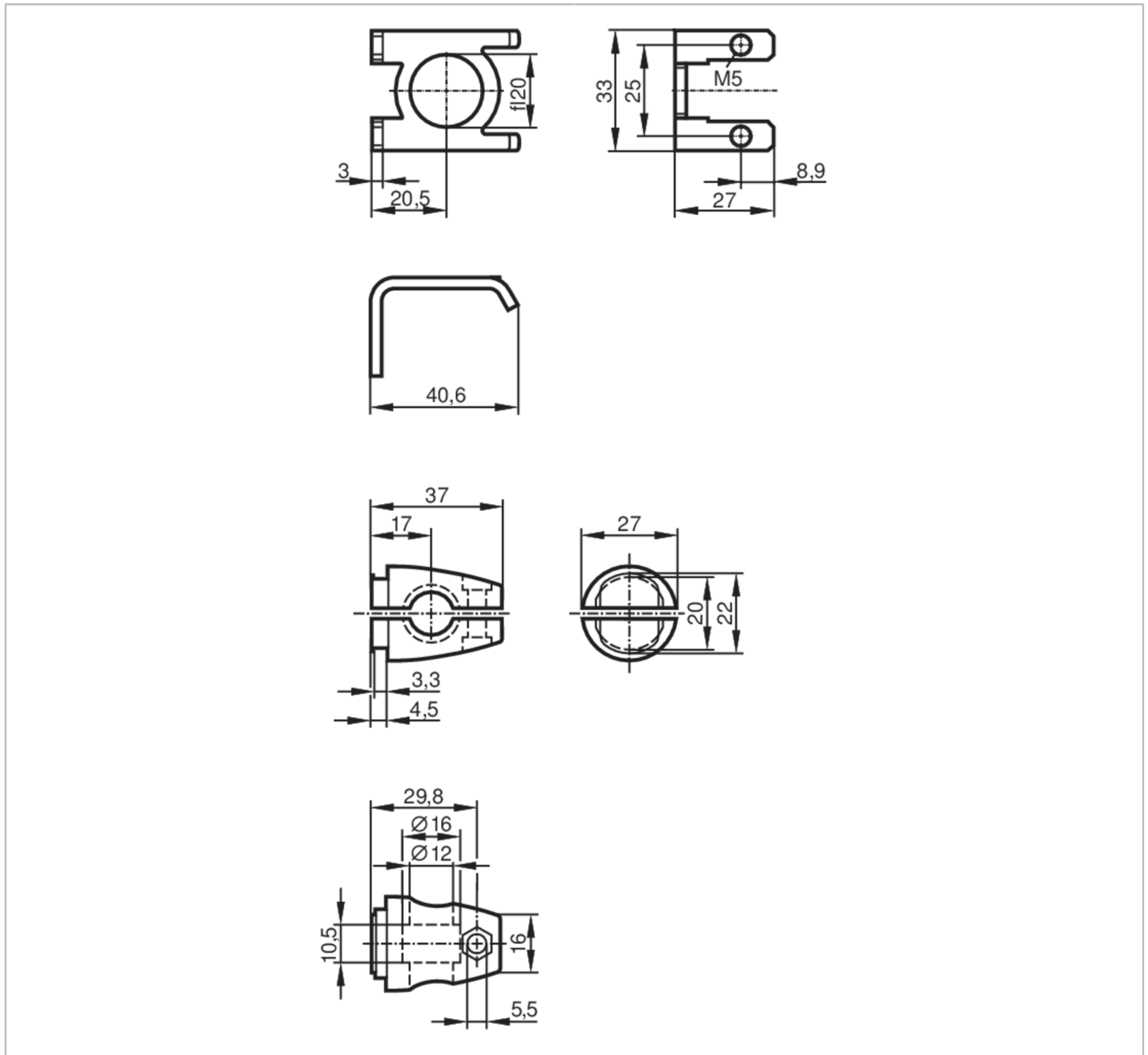


E21083



Mounting set for photoelectric sensors

O5 MOUNTING BRACKET ROD



Application	
Design	clamp mounting
Mechanical data	
Weight [g]	222
Type of mounting	free-standing; (M10)
Materials	stainless steel (1.4571/316Ti); Clamp: diecast zinc
Accessories	
Accessories (supplied)	head cap screw: 1 x M10 x 120
	Nuts: 2 x M10
	washers: 2
	cylinder screws: 2 x M5 x 8

E21083



Mounting set for photoelectric sensors

O5 MOUNTING BRACKET ROD

Remarks

Pack quantity

1 pcs.