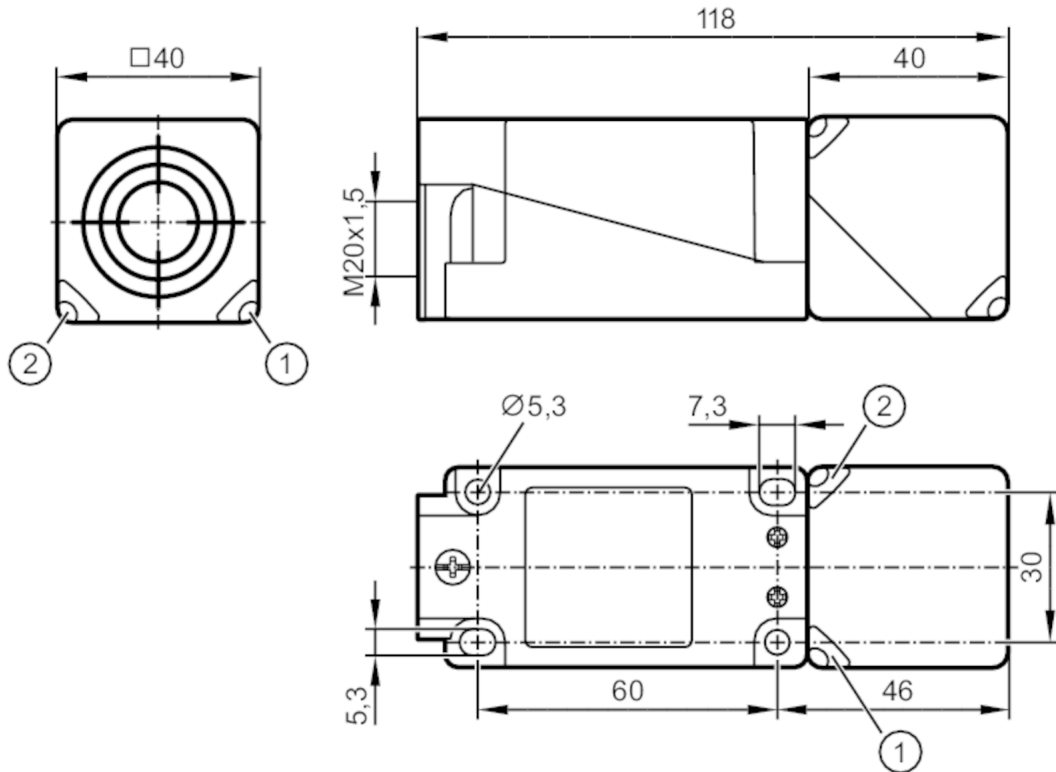


# IV5004



## Inductive sensor

IVE4020BCPKG



- 1 LED green
- 2 LED yellow



### Electrical data

Operating voltage	[V]	10...30 DC
Current consumption	[mA]	20; (24 V)
Protection class		II
Reverse polarity protection		yes

### Outputs

Electrical design		PNP
Output function		complementary
Max. voltage drop switching output DC	[V]	2
Permanent current rating of switching output DC	[mA]	200
Switching frequency DC	[Hz]	400
Short-circuit protection		yes
Type of short-circuit protection		pulsed
Overload protection		yes

### Detection zone

Sensing range	[mm]	20
Real sensing range $S_r$	[mm]	$20 \pm 10 \%$
Operating distance	[mm]	0...16.2

# IV5004



## Inductive sensor

IVE4020BCPKG

Accuracy / deviations		
Correction factor	steel: 1 / stainless steel: 0.7 / brass: 0.4 / aluminium: 0.3 / copper: 0.3	
Hysteresis [% of Sr]	1...10	
Switch point drift [% of Sr]	-10...10	
Operating conditions		
Ambient temperature [°C]	-25...85	
Protection	IP 68; IP 69K	
Tests / approvals		
EMC	EN 61000-4-2 ESD	8 kV CD / 8 kV AD
	EN 61000-4-3 HF radiated	10 V/m
	EN 61000-4-4 Burst	2 kV
	EN 61000-4-6 HF conducted	15 V
	EN 55011	class B
Vibration resistance	EN 60068-2-6 Fc	10 g (10...2000 Hz) / 10 cycles
Shock resistance	EN 60068-2-27 Ea	30 g 11 ms half-sine; 3 shocks each in every direction of the 3 coordinate axes
Continuous shock resistance	EN 60068-2-29 Eb	40 g 6 ms; 4000 shocks each in every direction of the 3 coordinate axes
Fast temperature changes	EN 60068-2-14 Na	TA = -40 °C; TB = 85 °C; t1 = 30 min; t2 = < 10 s; 50 cycles
UL approval	Ta	0...40 °C
	Enclosure type	Type 1
	File number UL	E174191
Mechanical data		
Weight [g]	258.2	
Housing	rectangular	
Mounting	flush mountable	
Dimensions [mm]	40 x 40 x 118	
Materials	PA 6.6; diecast zinc epoxy coated; sensing face: PA 6.6; LED window: PA; screws: stainless steel stainless steel (1.4305 / 303)	
Displays / operating elements		
Display	switching status	1 x LED, yellow
	operation	1 x LED, green
Remarks		
Remarks	5 positions of the active zone possible Cable gland (E11270) to be ordered separately	
Pack quantity	1 pcs.	

# IV5004



## Inductive sensor

IVE4020BCPKG

### Electrical connection

terminals: ...2.5 mm<sup>2</sup>; Cable gland: M20 X 1.5

### Connection

