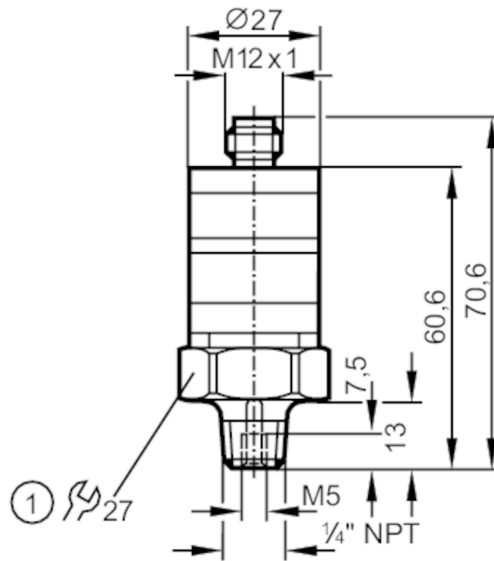


# PK6220



## Pressure switch with intuitive switch point setting

PK-400-SFN14-HCPKG/US /W



1 Tightening torque 25 Nm



Application	
Media	liquids and gases
Medium temperature [°C]	-25...80
Pressure rating	600 bar 8700 psi
Min. bursting pressure	1600 bar 23200 psi
Type of pressure	relative pressure
Electrical data	
Operating voltage [V]	9.6...32 DC
Current consumption [mA]	< 25
Min. insulation resistance [MΩ]	100; (500 V DC)
Protection class	III
Reverse polarity protection	yes
Inputs / outputs	
Number of inputs and outputs	Number of digital outputs: 2

# PK6220



## Pressure switch with intuitive switch point setting

PK-400-SFN14-HCPKG/US/ /W

Outputs		
Total number of outputs		2
Output signal		switching signal
Electrical design		PNP
Number of digital outputs		2
Output function		complementary
Max. voltage drop switching output DC	[V]	2
Permanent current rating of switching output DC	[mA]	500
Switching frequency DC	[Hz]	100
Short-circuit protection		yes
Type of short-circuit protection		pulsed
Overload protection		yes
Measuring/setting range		
Measuring range	0...400 bar	0...5800 psi
Set point SP	20...400 bar	290...5800 psi
Reset point rP	12...392 bar	175...5685 psi
Accuracy / deviations		
Switch point accuracy [% of the final value]	< ± 2,5; (Setting accuracy)	
Repeatability [% of the final value]	< ± 0,5; (with temperature fluctuations < 10 K)	
Characteristics deviation [% of the final value]	< ± 1,5 (BFSL) / < ± 2,5 (LS); (BFSL = Best Fit Straight Line; LS = limit value setting)	
Temperature drift per 10 K	< ± 0,5	
Temperature drift per 10 K	< ± 0.5	
Software / programming		
Adjustment of the switch point	setting rings	
Operating conditions		
Ambient temperature	[°C]	-25...80
Storage temperature	[°C]	-40...100
Protection		IP 67
Tests / approvals		
EMC	EN 61000-4-2 ESD	4 kV CD / 8 kV AD
	EN 61000-4-3 HF radiated	10 V/m
	EN 61000-4-4 Burst	2 kV
	EN 61000-4-5 Surge	1 kV signal for DC units
	EN 61000-4-6 HF conducted	10 V
Shock resistance	DIN IEC 68-2-27	50 g (11 ms)
Vibration resistance	DIN IEC 68-2-6	20 g (10...2000 Hz)
MTTF	[years]	641

# PK6220



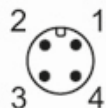
## Pressure switch with intuitive switch point setting

PK-400-SFN14-HCPKG/US/ /W

Mechanical data		
Weight [g]	92.2	
Materials	PBT; PC; FKM; stainless steel (1.4404 / 316L)	
Materials (wetted parts)	stainless steel (1.4404 / 316L)	
Min. pressure cycles	50 million	
Process connection	threaded connection 1/4 NPT external thread internal threadM5	
Displays / operating elements		
Display	operation	LED, green
	switching status	LED, yellow
With scale	yes	
Remarks		
Pack quantity	1 pcs.	

### Electrical connection

Connector: 1 x M12



### Connection

