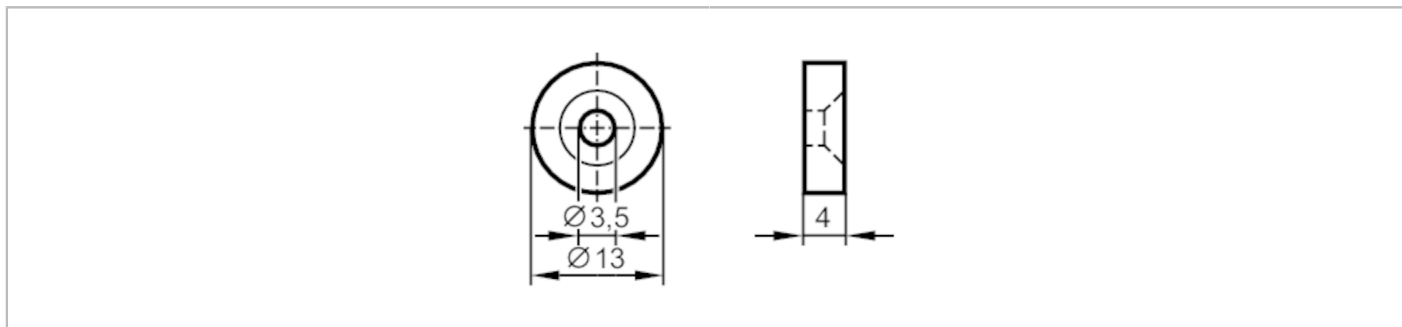


E12537



Damping magnet

MAGNET M3.2 BARIUMFERITT, DRILL HOLE



CE

Operating conditions

Ambient temperature [°C] -40...200

Mechanical data

Weight [g] 3.8

Dimensions [mm] Ø 13 / L = 4

Materials Barium ferrite

Remarks

Pack quantity 1 pcs.