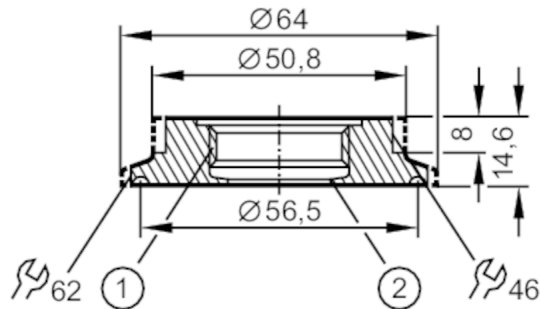


E33002



Process adapter Tri-Clamp

ADAPT IFM-CLAMP ISO2852 / 2



- 1 Aseptoflex thread
- 2 Aseptoflex sealing edge

EC 1935/2004 

Application

Pressure rating [bar] 16

Mechanical data

Weight [g]	235.2
Materials	stainless steel (1.4404 / 316L)
Sensor connection	Aseptoflex
Process connection	Clamp 2" ISO 2852
Surface characteristics Ra/Rz of the wetted parts	0.4 / 4
Hygienic equipment class to DIN 11866	H4

Remarks

Pack quantity 1 pcs.