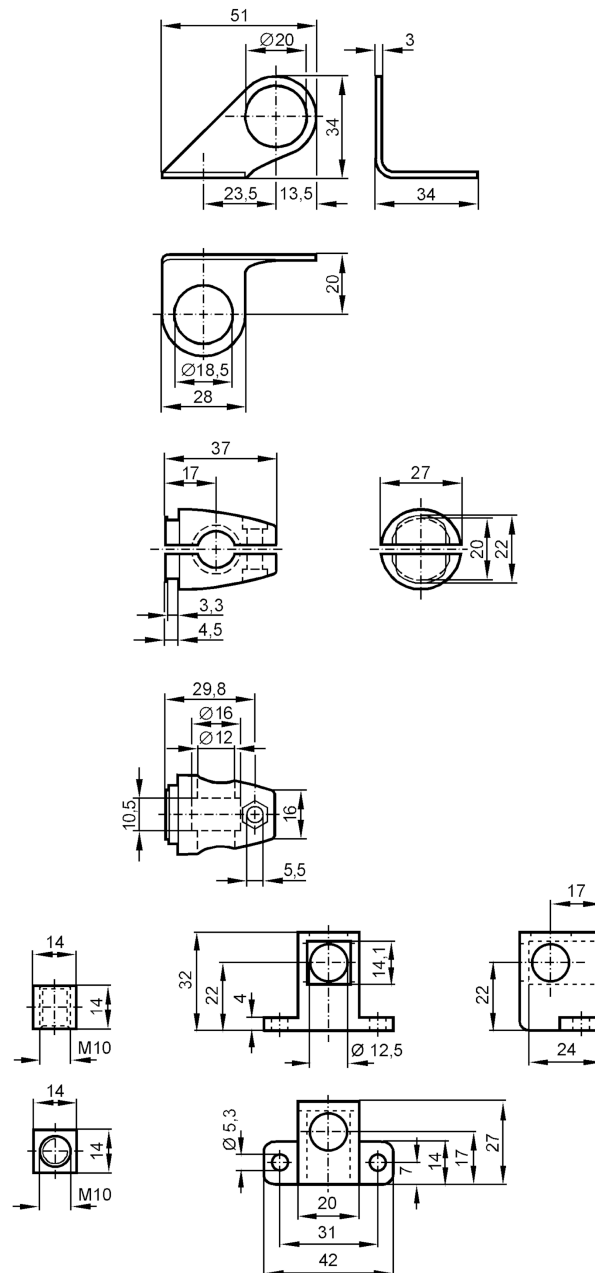


Mounting set for position sensors

SYSTEM COMPONENT M18 RAIL



Application

Design clamp mounting

Mechanical data

Weight	[g]	270.4
Type of mounting		aluminium profile
Dimensions	[mm]	Ø 18.5
Materials		fixture: stainless steel (1.4571/316Ti); Clamp: diecast zinc; CUBE: diecast zinc

Accessories

Accessories (supplied) head cap screw: 1 x M10 x 55

Remarks

Pack quantity 1 pcs.