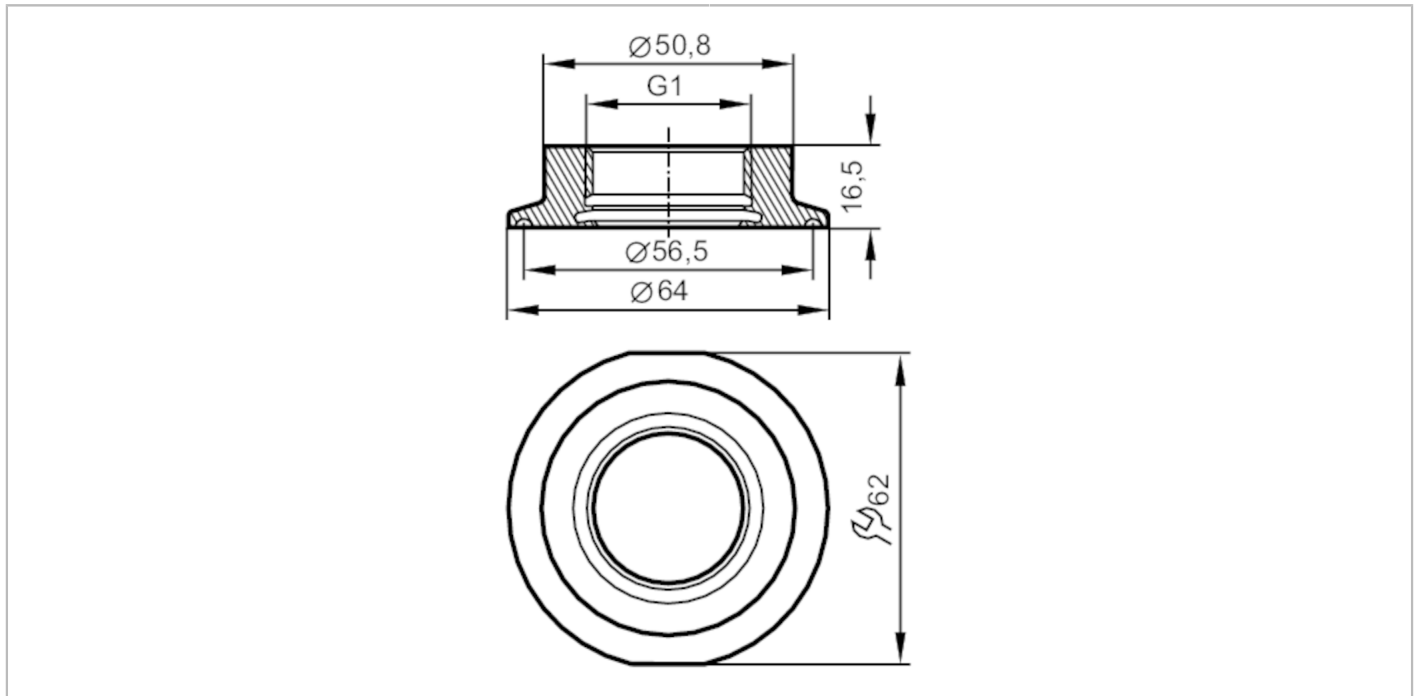


# E33202



## Process adapter Tri-Clamp

ADAPT IFM-CLAMP ISO2852 2"



CRN EC 1935/2004 EHEDG Certified 

Application	
Pressure rating	[bar] 16
Mechanical data	
Weight	[g] 227.5
Materials	stainless steel (1.4435 / 316L)
Sensor connection	G 1 external thread Aseptoflex Vario
Process connection	Clamp 2" ISO 2852
Surface characteristics Ra/Rz of the wetted parts	0.4 / 4
Sealing	Gasket
Hygienic equipment class to DIN 11866	H4
Accessories	
Accessories (supplied)	O-rings: 1 x 24 x 2 (EPDM), FDA compliant
Accessories (optional)	O-ring: 1 x 24 x 2 (FPM), FDA compliant, E30123 sealing ring: 1 x PEEK, FDA compliant, E30124
Remarks	
Pack quantity	1 pcs.