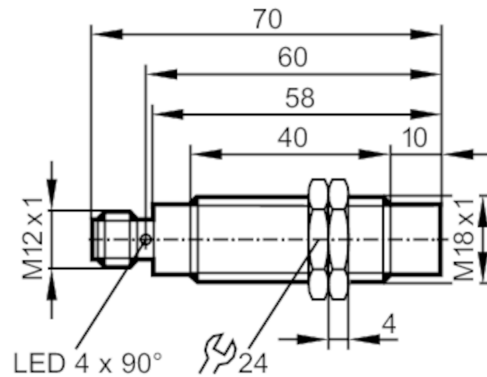


# IGS213



## Inductive sensor

IGK3012-BPKG/US-104



| Electrical data                                 |           |   |
|---|-----------|---|
| Operating voltage                               | [V]       | 10...36 DC  |
| Current consumption                             | [mA]      | < 10  |
| Protection class                                |           | II  |
| Reverse polarity protection                     |           | yes   |
| Outputs   |           |   |
| Electrical design                               |           | PNP   |
| Output function                                 |           | normally open   |
| Max. voltage drop switching output DC           | [V]       | 2.5   |
| Permanent current rating of switching output DC | [mA]      | 100   |
| Switching frequency DC                          | [Hz]      | 300   |
| Short-circuit protection                        |           | yes   |
| Type of short-circuit protection                |           | pulsed  |
| Overload protection                             |           | yes   |
| Detection zone                                  |           |   |
| Sensing range                                   | [mm]      | 12  |
| Real sensing range Sr                           | [mm]      | 12 ± 10 %   |
| Operating distance                              | [mm]      | 0...9.7   |
| Increased sensing range                         |           | yes   |
| Accuracy / deviations                           |           |   |
| Correction factor                               |           | steel: 1 / stainless steel: 0.7 / brass: 0.5 / aluminium: 0.5 / copper: 0.4 |
| Hysteresis                                      | [% of Sr] | 1...20  |
| Switch point drift                              | [% of Sr] | -10...10  |
| Operating conditions                            |           |   |
| Ambient temperature                             | [°C]      | -25...70  |
| Protection                                      |           | IP 67   |

# IGS213



## Inductive sensor

IGK3012-BPKG/US-104

| Tests / approvals |                           |                   |
|-------------------|---------------------------|-------------------|
| EMC               | EN 61000-4-2 ESD          | 4 kV CD / 8 kV AD |
|                   | EN 61000-4-3 HF radiated  | 10 V/m            |
|                   | EN 61000-4-4 Burst        | 2 kV              |
|                   | EN 61000-4-5 Surge        | 0,5 kV            |
|                   | EN 61000-4-6 HF conducted | 10 V              |
|                   | EN 55011                  | class B           |
| MTTF              | [years]                   | 1740              |
| UL approval       | Ta                        | 0...40 °C         |
|                   | Enclosure type            | Type 1            |
|                   | voltage supply            | Unlimited Voltage |
|                   | UL Approval no.           | A003              |
|                   | File number UL            | E174191           |

| Mechanical data    |      |   |
|--------------------|------|---|
| Weight             | [g]  | 53.6  |
| Housing            |      | threaded type                                       |
| Mounting           |      | non-flush mountable                                 |
| Dimensions         | [mm] | M18 x 1 / L = 70                                    |
| Thread designation |      | M18 x 1   |
| Materials          |      | brass white bronze coated; sensing face: PBT orange |

| Displays / operating elements |                  |                     |
|-------------------------------|------------------|---------------------|
| Display                       | switching status | 4 x 90° LED, yellow |

| Accessories            |  |              |
|------------------------|--|--------------|
| Accessories (supplied) |  | lock nuts: 2 |

| Remarks       |  |        |
|---------------|--|--------|
| Pack quantity |  | 1 pcs. |

### Electrical connection - plug

Connector: 1 x M12; Contacts: gold-plated



# IGS213

## Inductive sensor

IGK3012-BPKG/US-104



### Connection

