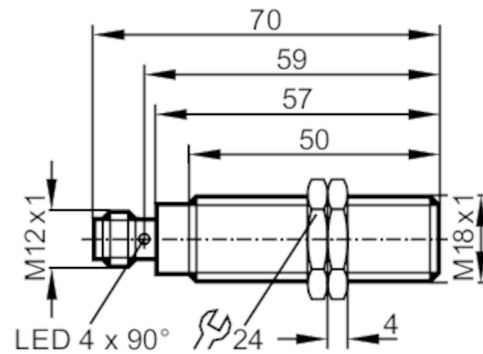


IG512A



Inductive full-metal sensor

IGK3005-APKG/AM/US104DPO/3G/3D



Application		
Pressure rating	[bar]	100
Note on pressure rating		sensing face
Electrical data		
Operating voltage	[V]	10...36 DC
Current consumption	[mA]	< 20
Protection class		III
Reverse polarity protection		yes
Outputs		
Electrical design		PNP
Output function		normally closed
Max. voltage drop switching output DC	[V]	2.5
Permanent current rating of switching output DC	[mA]	100
Switching frequency DC	[Hz]	100
Short-circuit protection		yes
Type of short-circuit protection		pulsed
Overload protection		yes
Detection zone		
Sensing range	[mm]	5
Operating distance	[mm]	0...4.05
Accuracy / deviations		
Correction factor		steel: 1 / stainless steel: 0.7 / brass: 0.6 / aluminium: 0.5 / copper: 0.3
Hysteresis	[% of Sr]	1...20
Operating conditions		
Ambient temperature	[°C]	-40...60
Protection		IP 67; (when used outside the hazardous area: IP 65, IP 67, IP 68, IP 69K)

IG512A



Inductive full-metal sensor

IGK3005-APKG/AM/US104DPO/3G/3D

Tests / approvals		
ATEX marking	II 3G Ex nA IIC T6 Gc X	
	II 3D Ex tc IIIC T85°C Dc IP67 X	
EMC	EN 61000-4-2 ESD	4 kV CD / 8 kV AD
	EN 61000-4-3 HF radiated	10 V/m
	EN 61000-4-4 Burst	2 kV
	EN 61000-4-6 HF conducted	10 V
	EN 55011 emission	class B
MTTF [years]	1526	
Mechanical data		
Weight [g]	78.8	
Housing	threaded type	
Mounting	flush mountable	
Dimensions [mm]	M18 x 1 / L = 70	
Thread designation	M18 x 1	
Materials	stainless steel (1.4404 / 316L); PEI; lock nuts: stainless steel	
Full-metal housing	yes	
Displays / operating elements		
Display	switching status 4 x 90° LED, yellow	
Accessories		
Accessories (supplied)	lock nuts: 2	
Remarks		
Pack quantity	1 pcs.	
Electrical connection - plug		
Connector: 1 x M12; Contacts: gold-plated		

IG512A

Inductive full-metal sensor

IGK3005-APKG/AM/US104DPO/3G/3D



Connection

