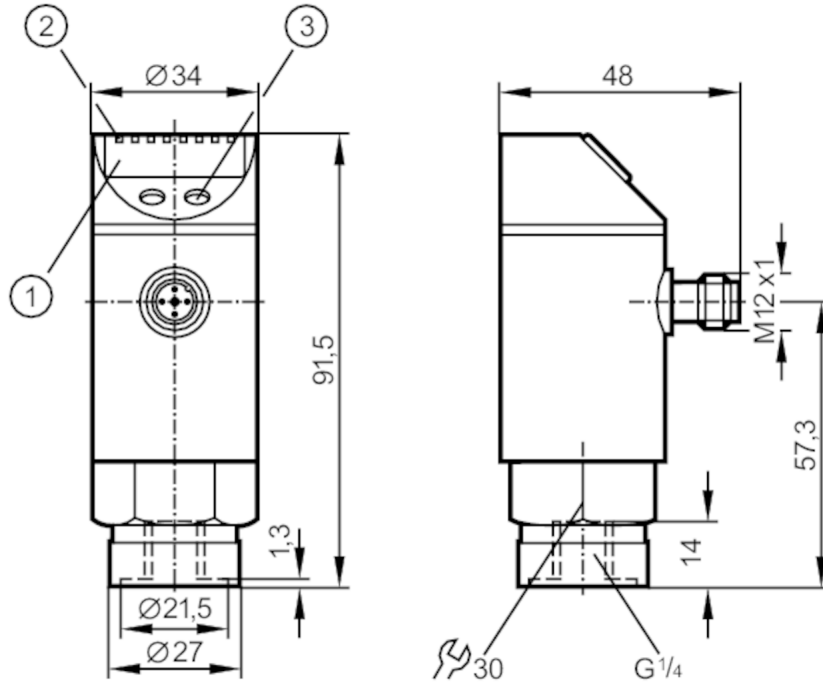


PE3001



Pressure sensor with display

PE-250-SDR14-MFPKG/US/ I/E



- 1 alphanumeric display 4-digit
- 2 LEDs Display unit / switching status
- 3 programming button



Application

Media	liquids and gases		
Conditionally suitable for	use in gases at pressures > 25 bar only on request		
Cannot be used for	oils		
Medium temperature [°C]	-25...80		
Pressure rating	400 bar	5800 psi	40 MPa
Min. bursting pressure	850 bar	12300 psi	85 MPa
Type of pressure	relative pressure		

Electrical data

Operating voltage [V]	18...36 DC; (according to EN 50178 SELV/PELV)		
Current consumption [mA]	< 50		
Min. insulation resistance [MΩ]	100; (500 V DC)		
Protection class	III		
Reverse polarity protection	yes		
Overvoltage protection	yes; (< 40 V)		
Power-on delay time [s]	0.3		
Integrated watchdog	yes		

Inputs / outputs

Number of inputs and outputs	Number of digital outputs: 1; Number of analogue outputs: 1
------------------------------	---

PE3001



Pressure sensor with display

PE-250-SDR14-MFPKG/US/ /E

Outputs			
Total number of outputs		2	
Output signal		switching signal; analogue signal; (configurable)	
Electrical design		PNP	
Number of digital outputs		1	
Output function		normally open / normally closed; (parameterisable)	
Max. voltage drop switching output DC	[V]	2	
Permanent current rating of switching output DC	[mA]	250	
Switching frequency DC	[Hz]	< 170	
Number of analogue outputs		1	
Analogue current output	[mA]	4...20	
Max. load	[Ω]	500	
Analogue voltage output	[V]	0...10	
Min. load resistance	[Ω]	2000	
Short-circuit protection		yes	
Type of short-circuit protection		pulsed	
Measuring/setting range			
Measuring range		0...250 bar	0...3625 psi 0...25 MPa
Set point SP		2...250 bar	40...3620 psi 0.2...25 MPa
Reset point rP		1...249 bar	20...3600 psi 0.1...24.9 MPa
In steps of		1 bar	20 psi 0.1 MPa
Factory setting			SP1 = 63 bar rP1 = 58 bar
Accuracy / deviations			
Switch point accuracy	[% of the span]	< ± 0,5	
Repeatability	[% of the span]	< ± 0,1; (with temperature fluctuations < 10 K)	
Characteristics deviation	[% of the span]	< ± 0,25 (BFSL) / < ± 0,5 (LS); (BFSL = Best Fit Straight Line; LS = limit value setting)	
Hysteresis deviation	[% of the span]	< ± 0,25	
Long-term stability	[% of the span]	< ± 0,05; (per 6 months)	
Temperature coefficient zero point	[% of the span / 10 K]	0,2; (0...80 °C)	
Temperature coefficient span	[% of the span / 10 K]	0,2; (0...80 °C)	
Response times			
Delay time programmable dS, dr	[s]	0; 0,2...50	
Max. response time analogue output	[ms]	3	

PE3001



Pressure sensor with display

PE-250-SDR14-MFPKG/US/ /E

Software / programming		
Parameter setting options	hysteresis / window; normally open / normally closed; switch-on/ switch-off delay; Damping; Display unit; current/voltage output	
Operating conditions		
Ambient temperature [°C]	-20...80	
Storage temperature [°C]	-40...100	
Protection	IP 67	
Tests / approvals		
EMC	EN 61000-4-2 ESD	4 kV CD / 8 kV AD
	EN 61000-4-3 HF radiated	10 V/m
	EN 61000-4-4 Burst	2 kV
	EN 61000-4-5 Surge	0,5/1 kV
	EN 61000-4-6 HF conducted	10 V
Shock resistance	DIN IEC 68-2-27	50 g (11 ms)
Vibration resistance	DIN IEC 68-2-6	20 g (10...2000 Hz)
MTTF [years]		213
Mechanical data		
Weight [g]		263.2
Materials	stainless steel (1.4301 / 304); stainless steel (1.4404 / 316L); PC; PBT; PEI; FKM	
Materials (wetted parts)	stainless steel (1.4404 / 316L); ceramics; sealing of the measuring cell: EPDM	
Min. pressure cycles		100 million
Process connection	threaded connection G 1/4 internal thread	
Displays / operating elements		
Display	Display unit	3 x LED, green
	switching status	LED, yellow
	function display	alphanumeric display, 4-digit
	measured values	alphanumeric display, 4-digit
Remarks		
Pack quantity		1 pcs.
Electrical connection		
Connector: 1 x M12; Contacts: gold-plated		

PE3001



Pressure sensor with display

PE-250-SDR14-MFPKG/US/ I/E

Connection

