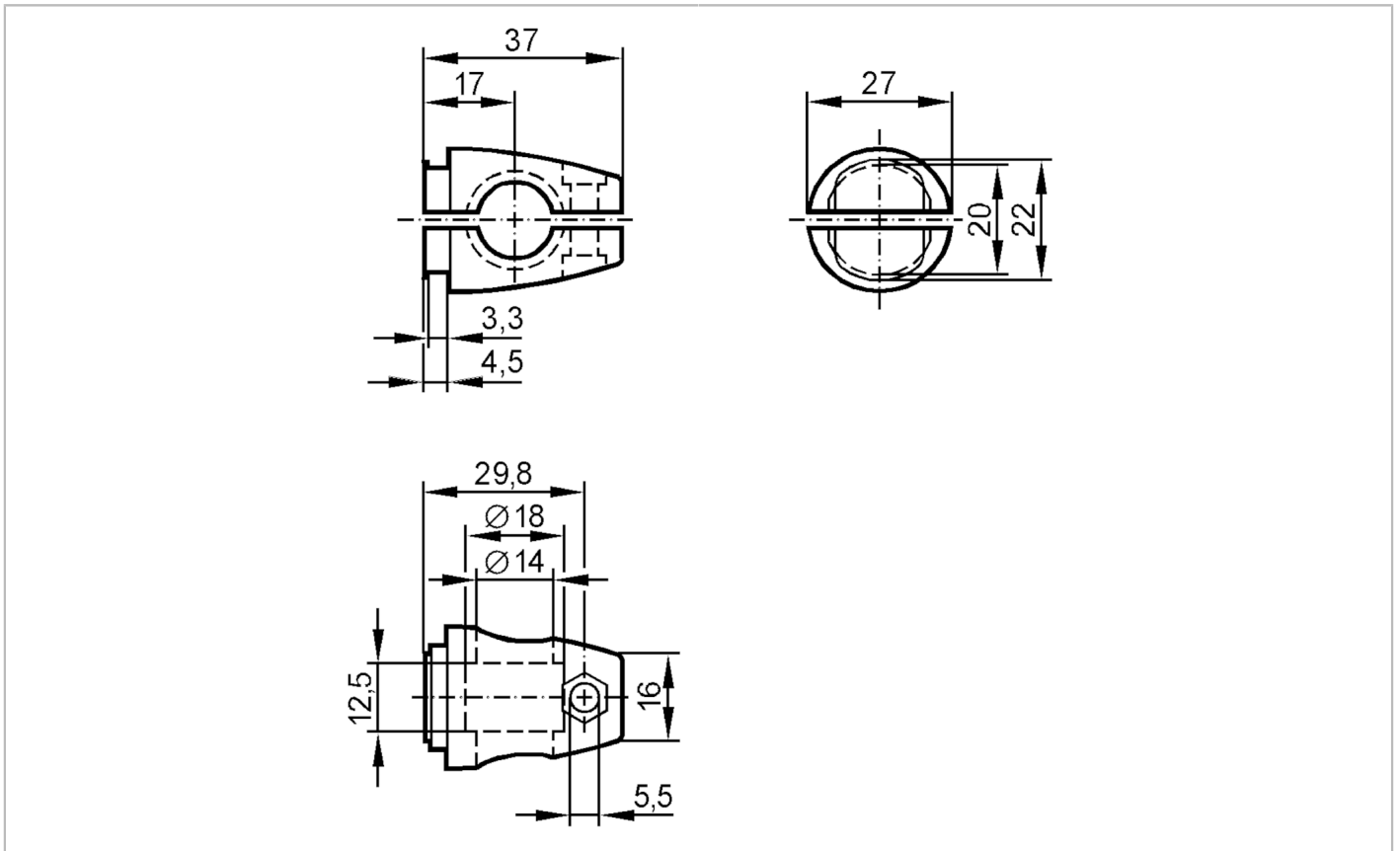


# E20795



## Mounting set for position sensors

CLAMP M12 ROD MOUNTING



### Mechanical data

Weight	[g]	72.8
Type of mounting		Mounting rod; (Ø 14 mm)
Dimensions	[mm]	M12
Thread designation		M12
Materials		Clamp: diecast zinc

### Remarks

Pack quantity		1 pcs.
---------------	--	--------