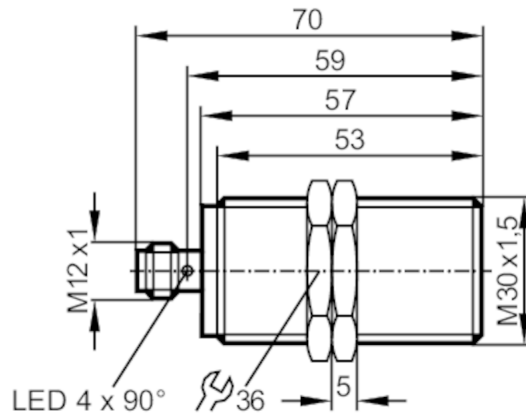


# II5917



## Inductive analogue sensor

IIK3010A2PKG/US



Electrical data		
Operating voltage	[V]	15...30 DC
Current consumption	[mA]	< 20
Protection class		II
Reverse polarity protection		yes
Outputs		
Analogue voltage output	[V]	0...10; (linear; gradient: 1,111 V/mm; for frontal approach and for target made of mild steel: 30 x 30 x 1 mm)
Min. load resistance	[Ω]	2000
Short-circuit protection		yes
Overload protection		yes
Detection zone		
Measuring range	[mm]	1...10
Accuracy / deviations		
Correction factor		steel: 1 / stainless steel: 0.7 / brass: 0.5 / aluminium: 0.4 / copper: 0.3
Linearity error of analogue output	[%]	± 3 %; (of UA max)
Repeatability analogue output	[%]	± 2 %; (of UA max)
Response times		
Response time	[ms]	< 10
Operating conditions		
Ambient temperature	[°C]	-25...80
Protection		IP 67
Tests / approvals		
MTTF	[years]	1014

# II5917



## Inductive analogue sensor

IIK3010A2PKG/US

### Mechanical data

Weight	[g]	152
Housing		threaded type
Mounting		flush mountable
Dimensions	[mm]	M30 x 1.5 / L = 70
Thread designation		M30 x 1.5
Materials		housing: brass white bronze coated; sensing face: PBT

### Displays / operating elements

Display	within the operating range	1 x LED, yellow lights
	outside the operating range	1 x LED, yellow flashing

### Accessories

Accessories (supplied)	lock nuts: 2
------------------------	--------------

### Remarks

Pack quantity	1 pcs.
---------------	--------

### Electrical connection - plug

Connector: 1 x M12



### Connection

