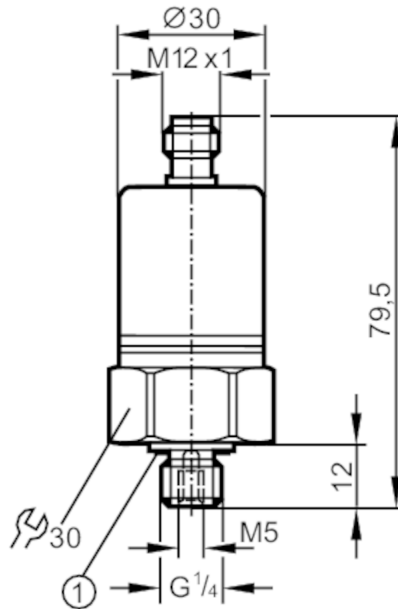


PA3521



Pressure transmitter with ceramic measuring cell

PA-250-SBG14-A-ZVG/US/ IV



1 Sealing



Application

Application	for industrial applications
Media	Liquids
Conditionally suitable for	use in gases at pressures > 25 bar only on request
Medium temperature [°C]	-25...90; (on request: -40...90 °C)
Pressure rating [bar]	400
Min. bursting pressure [bar]	850
Type of pressure	relative pressure

Electrical data

Operating voltage [V]	9.6...32 DC
Min. insulation resistance [MΩ]	100; (500 V DC)
Protection class	III
Reverse polarity protection	yes

Inputs / outputs

Number of inputs and outputs	Number of analogue outputs: 1
------------------------------	-------------------------------

Outputs

Total number of outputs	1
Output signal	analogue signal
Number of analogue outputs	1
Analogue current output [mA]	4...20
Max. load [Ω]	720; (U _b = 24 V; (U _b - 9,6 V) / 20 mA)
Overload protection	yes

PA3521



Pressure transmitter with ceramic measuring cell

PA-250-SBG14-A-ZVG/US/ IV

Measuring/setting range		
Measuring range [bar]	0...250	
Accuracy / deviations		
Repeatability [% of the span]	< 0,1; (with temperature fluctuations < 10 K)	
Characteristics deviation [% of the span]	< ± 0,25 (BFSL) / < ± 0,5 (LS); (BFSL = Best Fit Straight Line; LS = limit value setting)	
Long-term stability [% of the span]	< ± 0,05; (per 6 months)	
Temperature coefficient zero point [% of the span / 10 K]	< ± 0,1; (0...80 °C)	
Temperature coefficient span [% of the span / 10 K]	< ± 0,2; (0...80 °C)	
Response times		
Step response time analogue output [ms]	3	
Operating conditions		
Ambient temperature [°C]	-25...80	
Storage temperature [°C]	-40...100	
Protection	IP 68; IP 69K	
Tests / approvals		
EMC	EN 61000-4-2 ESD	4 kV CD / 8 kV AD
	EN 61000-4-3 HF radiated	30 V/m
	EN 61000-4-4 Burst	2 kV
	EN 61000-4-6 HF conducted	10 V
	radiation of interference	according to the automotive directive 2004/104/EC
	CISPR 25	
	noise immunity	according to the automotive directive 2004/104/EC
	ISO 11452-2 HF radiated	100 V/m
Shock resistance	ISO 7637-2 pulse	severity level 4
	DIN EN 60068-2-27	50 g (11 ms)
	DIN EN 61373	category 3
Vibration resistance	DIN EN 60068-2-6	20 g (10...2000 Hz)
	DIN EN 61373	category 2
MTTF [years]	507	
Pressure Equipment Directive	Sound Engineering Practice; can be used for group 2 fluids; group 1 fluids on request	
Railway applications	DIN EN 50155 / IEC 60571	Klasse T3, C1, S1
Mechanical data		
Weight [g]	220.4	
Materials	stainless steel (1.4404 / 316L); FKM; PA; EPDM/X	
Materials (wetted parts)	stainless steel (1.4305 / 303); ceramics; Sealing: FKM	
Min. pressure cycles	100 million	
Tightening torque [Nm]	25...35; (recommended tightening torque; depends on lubrication, seal and pressure rating)	
Process connection	threaded connection G 1/4 external thread (DIN EN ISO 1179-2); internal thread M5	

PA3521



Pressure transmitter with ceramic measuring cell

PA-250-SBG14-A-ZVG/US/ IV

Remarks

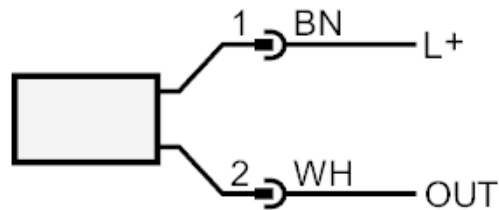
Pack quantity 1 pcs.

Electrical connection

Connector: 1 x M12; Contacts: gold-plated



Connection



OUT analogue output
colours to DIN EN 60947-5-2
Core colours :
BN = brown
WH = white