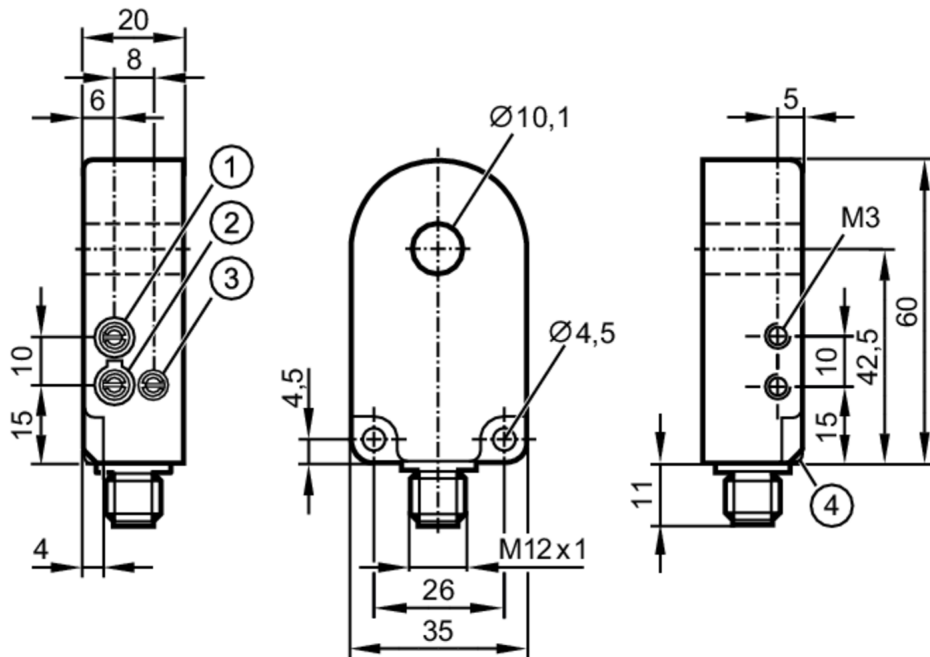


I7R201



Inductive ring sensor

I7R3010-FPKG/US-100-IPF



- 1 sensitivity
- 2 Output function
- 3 pulse stretching time



Application

Operating principle static

Electrical data

Operating voltage [V]	10...35 DC
Current consumption [mA]	< 11
Protection class	III
Reverse polarity protection	yes

Outputs

Electrical design	PNP
Output function	normally open / normally closed; (selectable)
Max. voltage drop switching output DC [V]	2
Permanent current rating of switching output DC [mA]	200
Short-circuit protection	yes
Overload protection	yes

Detection zone

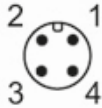
Resolution of steel ball (diameter) [mm]	1.5
Max. part speed [m/s]	35

I7R201



Inductive ring sensor

I7R3010-FPKG/US-100-IPF

Response times		
Pulse stretching	[ms]	10...150
Pulse stretching adjustable		yes
Max. fall time	[ms]	10
Response time	[ms]	< 0.5
Operating conditions		
Ambient temperature	[°C]	-25...70
Protection		IP 67
Tests / approvals		
MTTF	[years]	658
UL approval	Ta	-25...70 °C
	Enclosure type	Type 4X (indoor use only) / 12 and 13
	voltage supply	Class 2
	File number UL	E174191
Mechanical data		
Weight	[g]	90.8
Housing		circular
Dimensions	[mm]	60 x 35 x 20
Inside diameter	[mm]	10.1
Materials		housing: PA; ring: POM
Displays / operating elements		
Display	switching status	1 x LED, yellow
Remarks		
Pack quantity		1 pcs.
Electrical connection - plug		
Connector: 1 x M12		
		

I7R201

Inductive ring sensor

I7R3010-FPKG/US-100-IPF



Connection

