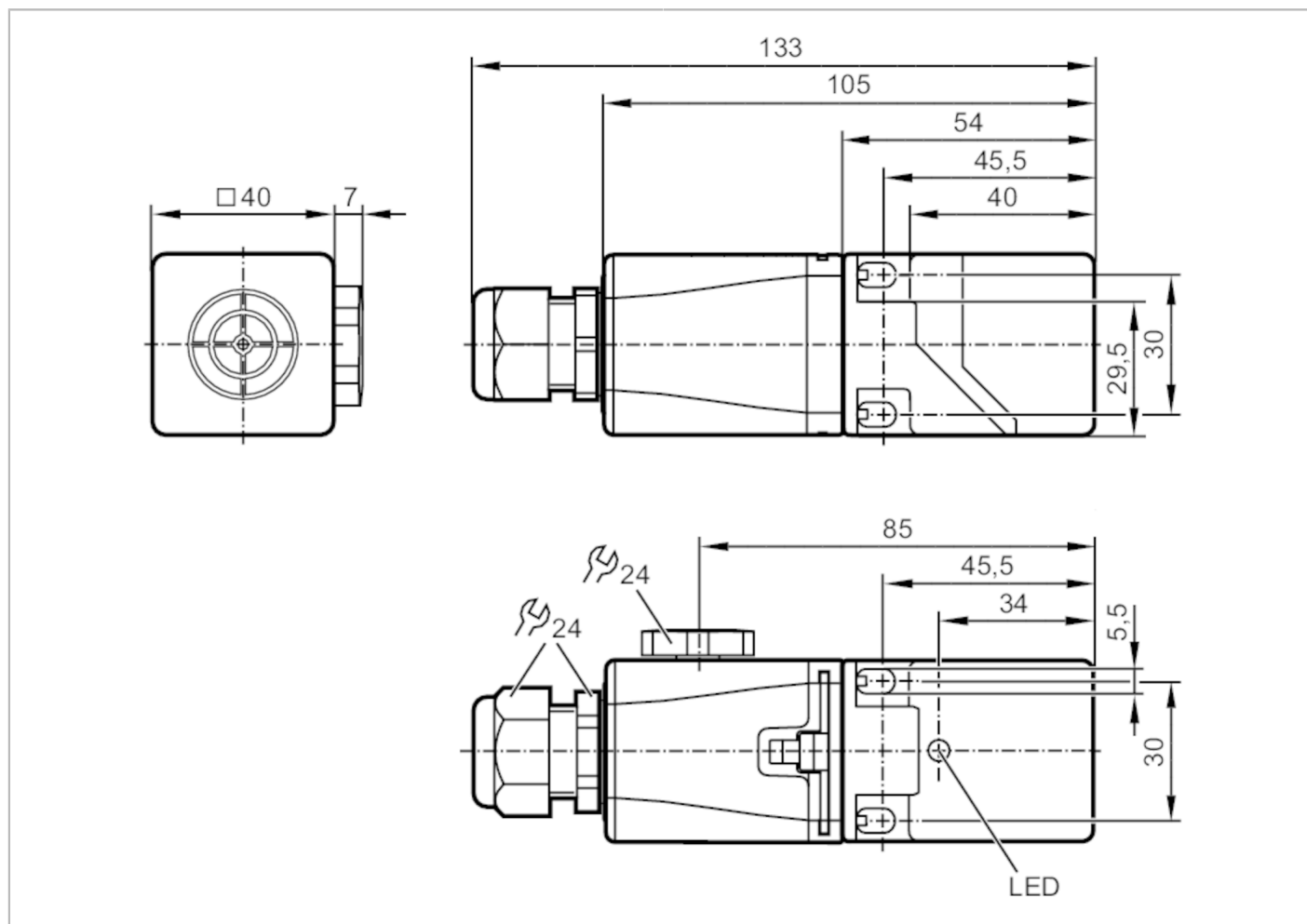


# IM508A



## Inductive sensor

IME2020BFRKG/3D



### Electrical data

Operating voltage	[V]	10...55 DC
Protection class		III
Reverse polarity protection		yes

### Outputs


Output function		normally open / normally closed; (selectable)
Max. voltage drop switching output DC	[V]	4.6
Minimum load current	[mA]	5
Max. leakage current	[mA]	1
Permanent current rating of switching output DC	[mA]	150
Switching frequency DC	[Hz]	100
Short-circuit proof		yes
Overload protection		yes

# IM508A



## Inductive sensor

IME2020BFRKG/3D

Detection zone		
Sensing range	[mm]	20
Real sensing range Sr	[mm]	20 ± 10 %
Operating distance	[mm]	0...16.2
Accuracy / deviations		
Correction factor		steel: 1 / stainless steel: 0.7 / brass: 0.4 / aluminium: 0.3 / copper: 0.2
Hysteresis	[% of Sr]	1...20
Switch point drift	[% of Sr]	-10...10
Operating conditions		
Ambient temperature	[°C]	-20...60
Protection		IP 65; IP 67
Tests / approvals		
ATEX marking		 II 3D Ex tc IIIC T95°C Dc X
EMC		EN 60947-5-2
MTTF	[years]	1608
Mechanical data		
Weight	[g]	234.8
Housing		rectangular
Mounting		flush mountable
Dimensions	[mm]	40 x 40 x 105
Materials		PC; PA; stainless steel
Displays / operating elements		
Display	switching status	1 x LED, yellow
Remarks		
Remarks	Recommendation: Check the safe functioning of the unit after a short circuit. 5 positions of the active zone possible	
Pack quantity	1 pcs.	

# IM508A



## Inductive sensor

IME2020BFRKG/3D

### Electrical connection

terminals: 0.34...1.5 mm<sup>2</sup>; Cable sheath: Ø 5...9 mm

### Connection

