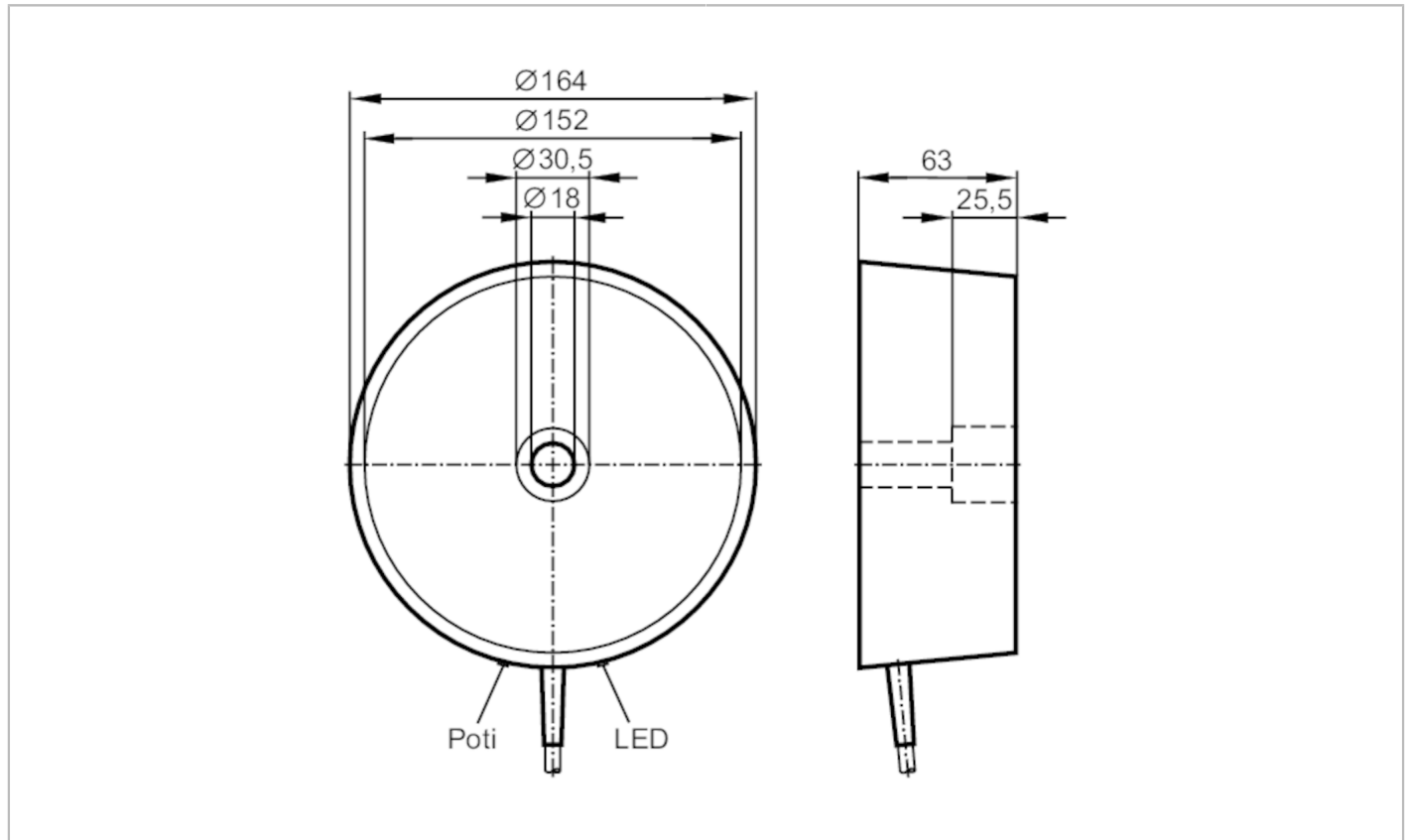


I27001



Inductive area sensor

SIY-3120-BPKG



Electrical data

Operating voltage	[V]	10...36 DC
Current consumption	[mA]	15; (24 V)
Protection class		II
Reverse polarity protection		yes

Outputs

Electrical design		PNP
Output function		normally open
Max. voltage drop switching output DC	[V]	2.5
Permanent current rating of switching output DC	[mA]	250
Switching frequency DC	[Hz]	3
Short-circuit protection		yes
Type of short-circuit protection		pulsed
Overload protection		yes

Detection zone

Sensing range	[mm]	30...120
Sensing range adjustable		yes
Factory setting sensing range	[mm]	120
Real sensing range S_r	[mm]	$120 \pm 10 \%$

I27001

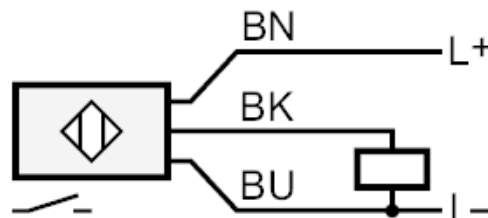


Inductive area sensor

SIY-3120-BPKG

Accuracy / deviations		
Correction factor		steel: 1 / stainless steel: 0.7 / brass: 0.4 / aluminium: 0.3 / copper: 0.2
Hysteresis	[% of Sr]	< 15
Switch point drift	[% of Sr]	-15...15
Operating conditions		
Ambient temperature	[°C]	-20...70
Protection		IP 65
Tests / approvals		
EMC		EN 60947-5-2
MTTF	[years]	1049
Mechanical data		
Weight	[g]	1241.5
Housing		cylindrical
Mounting		non-flush mountable
Dimensions	[mm]	Ø 164
Materials		housing: PBT; bottom cover: aluminium
Displays / operating elements		
Display		switching status 1 x LED, yellow
Accessories		
Accessories (supplied)		screws: 1 x M16 x 90
Remarks		
Pack quantity		1 pcs.
Electrical connection		
Cable: 2 m, PVC; 3 x 0.5 mm ²		

Connection



Core colours :

BK =	black
BN =	brown
BU =	blue