

# RO1376

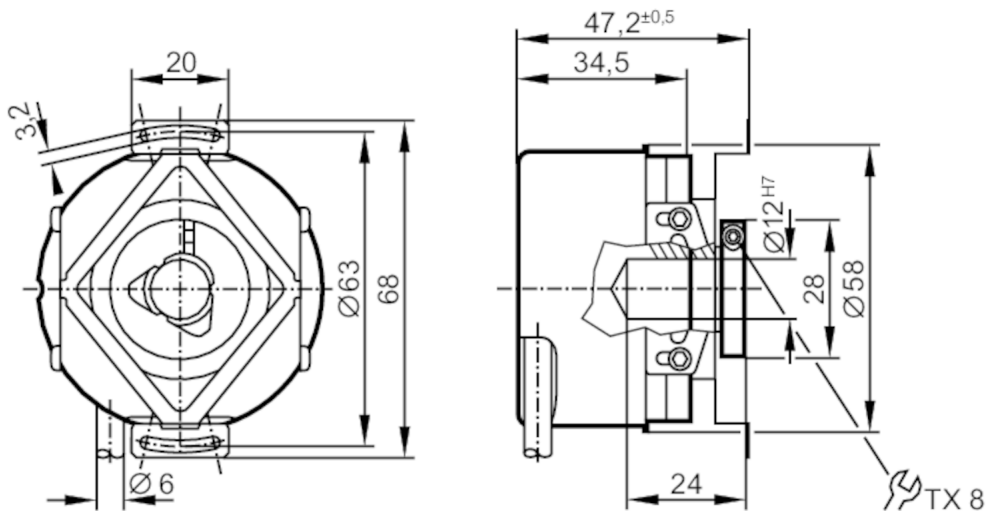
## Incremental encoder with hollow shaft

RO-2048-I05/N6U



Status Archive

/ROP521 + E11855



### Application

Function principle incremental

### Electrical data

Operating voltage tolerance	[%]	10
Operating voltage	[V]	5 DC
Current consumption	[mA]	< 120

### Outputs

Electrical design	TTL
Max. current load per output	[mA] 20
Switching frequency	[kHz] 300
Phase difference A und B	[°] 90

### Measuring/setting range

Resolution 2048 resolution

### Operating conditions

Ambient temperature	[°C]	-40...100
Max. relative air humidity	[%]	98
Protection	IP 64; (on the housing: IP 67; on the shaft: IP 64)	

### Tests / approvals

Shock resistance	200 g
Vibration resistance	30 g
MTTF	[years] 190

# RO1376



## Incremental encoder with hollow shaft

RO-2048-I05/N6U

Mechanical data	
Weight [g]	725.2
Dimensions [mm]	Ø 58 / L = 35.5
Materials	aluminium
Max. revolution, mechanical [U/min]	12000
Max. starting torque [Nm]	1
Reference temperature torque [°C]	20
Shaft design	hollow shaft open to one side
Shaft diameter [mm]	12
Shaft fit	H7
Shaft material	stainless steel
Installation depth of shaft [mm]	10
Max. axial shaft misalignment [mm]	1; (max. radial shaft alignment: ± 0,05 mm)

Remarks	
Notes	discontinued article

### Electrical connection

Cable: 6 m, PUR; Maximum cable length: 100 m; radial, can also be used axially

brown	A
green	A inverted
grey	B
pink	B inverted
red	0 index
black	0 index inverted
blue	L+ sensor
white	0V sensor
brown/green	L+ (Up)
white/green	0V (Un)
lilac	failure inverted
screen	housing

### Diagrams and graphs

Pulse diagram	<p>Output A Output B 0 index</p>
---------------	--

Status Archive

/ROP521 + E11855