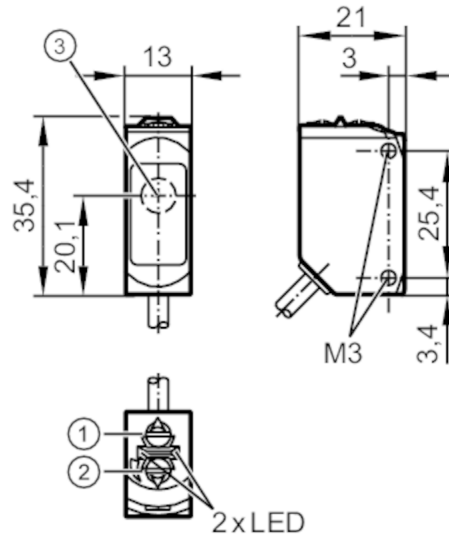


O6E204



Through-beam sensor receiver

O6E-FNKG



- 1 output function switch
- 2 potentiometer sensitivity
- 3 Light incidence



Application

Function principle Through-beam sensor

Electrical data

Operating voltage [V]	10...30 DC
Current consumption [mA]	7; ((24 V))
Protection class	III
Reverse polarity protection	yes
Type of light	red light
Wave length [nm]	633

Outputs

Electrical design	NPN
Output function	light-on/dark-on mode; (selectable)
Max. voltage drop switching output DC [V]	2.5
Permanent current rating of switching output DC [mA]	100
Switching frequency DC [Hz]	1000
Short-circuit protection	yes
Type of short-circuit protection	pulsed

Detection zone

Transmitter / receiver	receiver
Range [m]	< 10
Range adjustable	yes

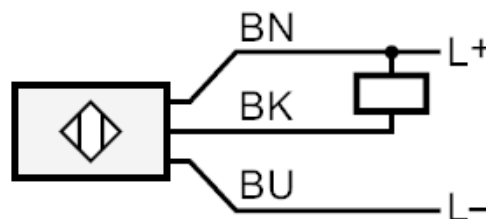
O6E204



Through-beam sensor receiver

O6E-FNKG

Operating conditions		
Ambient temperature [°C]	-25...60	
Protection	IP 65; IP 67	
Tests / approvals		
EMC	EN 60947-5-2	
MTTF [years]	956	
UL approval	UL Approval no.	E008
Mechanical data		
Weight [g]	58	
Housing	rectangular	
Dimensions [mm]	35.4 x 13 x 21	
Materials	housing: ABS; PPSU; Sealing: EPDM	
Lens material	PMMA	
Lens alignment	side lens	
Tightening torque [Nm]	0.5	
Displays / operating elements		
Display	switching status	1 x LED, yellow
	operation	1 x LED, green
Remarks		
Remarks	operating voltage "supply class 2" according to cULus	
Pack quantity	1 pcs.	
Electrical connection		
Cable: 2 m, PUR; 3 x 0.25 mm ²		
Connection		



Core colours :

BN = brown
BK = black
BU = blue

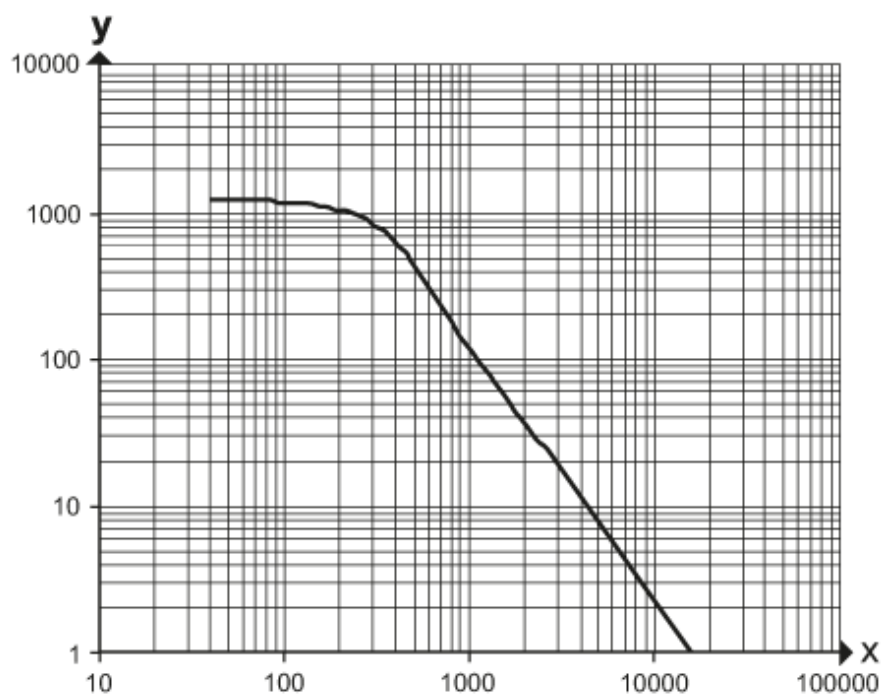


Through-beam sensor receiver

O6E-FNKG

Diagrams and graphs

excess gain graph



x: Abstand [mm]

y: Funktionsreservfaktor