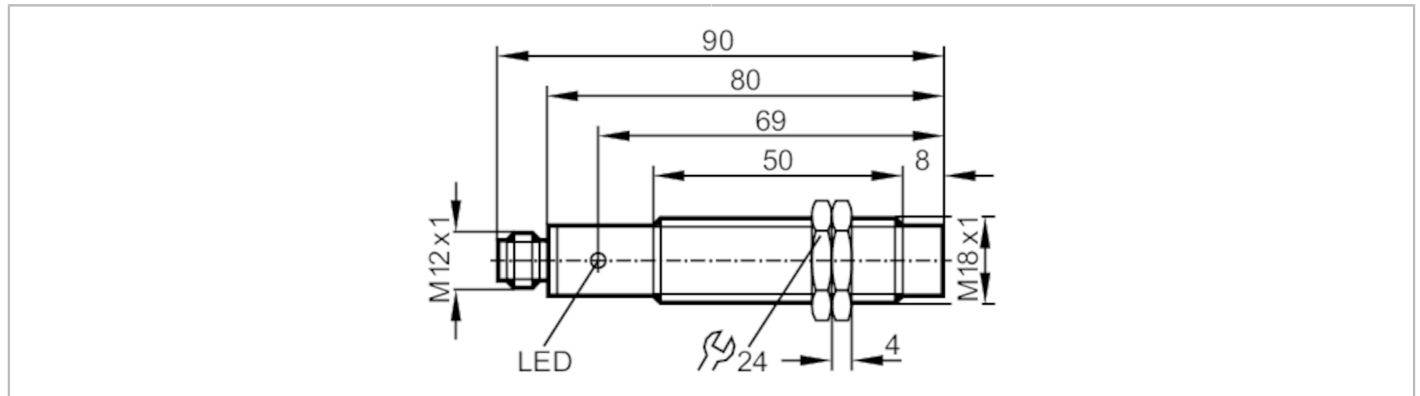


# IG6055



## Inductive sensor

IGA3008-BPKG/V4A/US-100-DPS



Electrical data		
Operating voltage	[V]	10...36 DC
Current consumption	[mA]	15; (24 V)
Protection class		II
Reverse polarity protection		yes
Outputs		
Electrical design		PNP
Output function		normally open
Max. voltage drop switching output DC	[V]	2.5
Permanent current rating of switching output DC	[mA]	250
Short-time current rating of switching output	[mA]	250
Switching frequency DC	[Hz]	300
Short-circuit protection		yes
Type of short-circuit protection		pulsed
Overload protection		yes
Detection zone		
Sensing range	[mm]	8
Real sensing range $S_r$	[mm]	$8 \pm 10\%$
Operating distance	[mm]	0...6.48
Accuracy / deviations		
Correction factor		steel: 1 / stainless steel: 0.7 / brass: 0.4 / aluminium: 0.3 / copper: 0.2
Hysteresis	[% of $S_r$ ]	1...15
Switch point drift	[% of $S_r$ ]	-10...10
Operating conditions		
Ambient temperature	[°C]	-25...80
Protection		IP 67

# IG6055



## Inductive sensor

IGA3008-BPKG/V4A/US-100-DPS

Tests / approvals		
EMC	EN 60947-5-2 EN 55011	class B
MTTF [years]	1853	
Mechanical data		
Weight [g]	65.8	
Housing	threaded type	
Mounting	non-flush mountable	
Dimensions [mm]	M18 x 1 / L = 90	
Thread designation	M18 x 1	
Materials	stainless steel (1.4571/316Ti); sensing face: PC	
Displays / operating elements		
Display	switching status	1 x LED, yellow
Accessories		
Accessories (supplied)	lock nuts: 2	
Remarks		
Pack quantity	1 pcs.	

### Electrical connection - plug

Connector: 1 x M12; Contacts: gold-plated



### Connection

