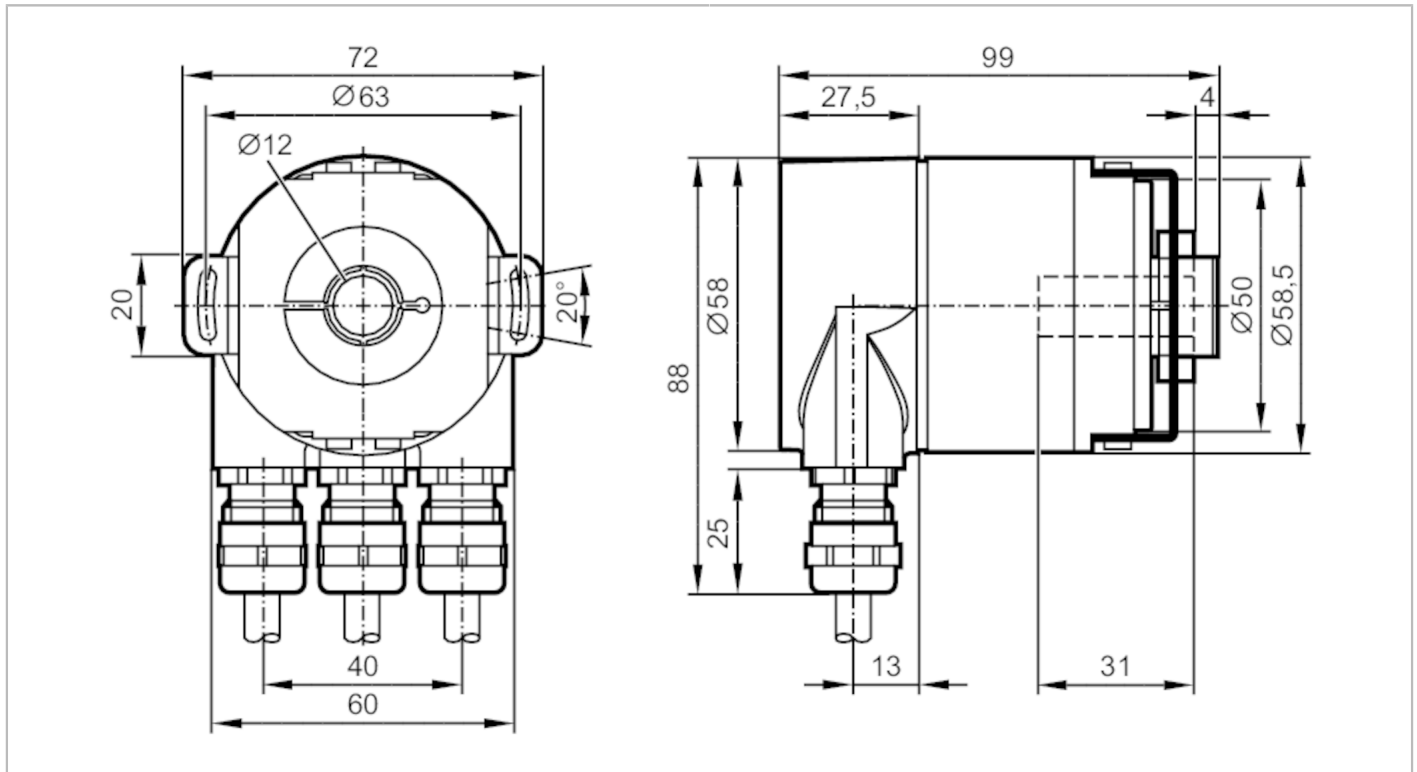


RM3008



Multiturn hollow shaft encoder

RM-0025-E24/E-U



Application	
Function principle	absolute
Revolution type	multiturn
Electrical data	
Operating voltage [V]	10...30 DC
Current consumption [mA]	100; ((24 V))
Reverse polarity protection	yes
Outputs	
Code	binary
Measuring/setting range	
Resolution	8192 steps; 4096 revolutions; 25 bit
Software / programming	
Parameter setting options	counting direction of the code values; Resolution; zero point; limit switches HI and LO; motion indicator; separation multiturn/singleturn
Diagnostic functions	alarms; warnings; status; serial number of the encoder
Addressing	address selector switch; 0...126
Interfaces	
Communication interface	PROFIBUS DP
PROFIBUS DP	
Transmission standard	DPV2

RM3008



Multiturn hollow shaft encoder

RM-0025-E24/E-U

Operating conditions		
Ambient temperature	[°C]	-40...85
Max. relative air humidity	[%]	98
Protection		IP 67; (on the housing: IP 67; on the shaft: IP 67)
Tests / approvals		
Shock resistance		100 g (6 ms)
Vibration resistance		10 g (10...2000 Hz)
MTTF	[years]	13.5
Mechanical data		
Weight	[g]	700
Dimensions	[mm]	Ø 58.5 / L = 99
Materials		aluminium; clamping ring: brass
Max. revolution, mechanical	[U/min]	12000
Shaft design		hollow shaft open to one side
Shaft diameter	[mm]	12
Shaft material		steel (1.4104)
Max. shaft load axial (at the shaft end)	[N]	40
Max. shaft load radial (at the shaft end)	[N]	110
Fixing flange		Stator coupling
Electrical connection		
terminal strip in the terminal chamber:		