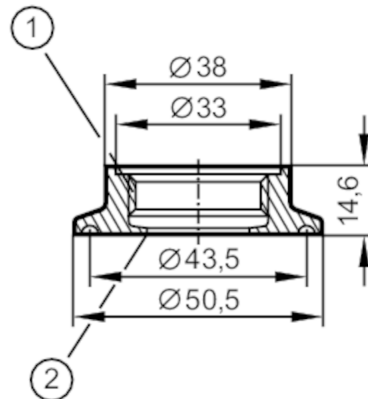


E33001



Process adapter Tri-Clamp

ADA IFM-CLAMP ISO2852/1-1.5



- 1 Aseptoflex thread
- 2 Aseptoflex sealing edge

EC 1935/2004 

Application	
Pressure rating	[bar] 16
Mechanical data	
Weight	[g] 119.4
Materials	stainless steel (1.4404 / 316L)
Sensor connection	Aseptoflex
Process connection	Clamp 1-1,5" ISO 2852
Surface characteristics Ra/Rz of the wetted parts	0.4 / 4
Remarks	
Pack quantity	1 pcs.