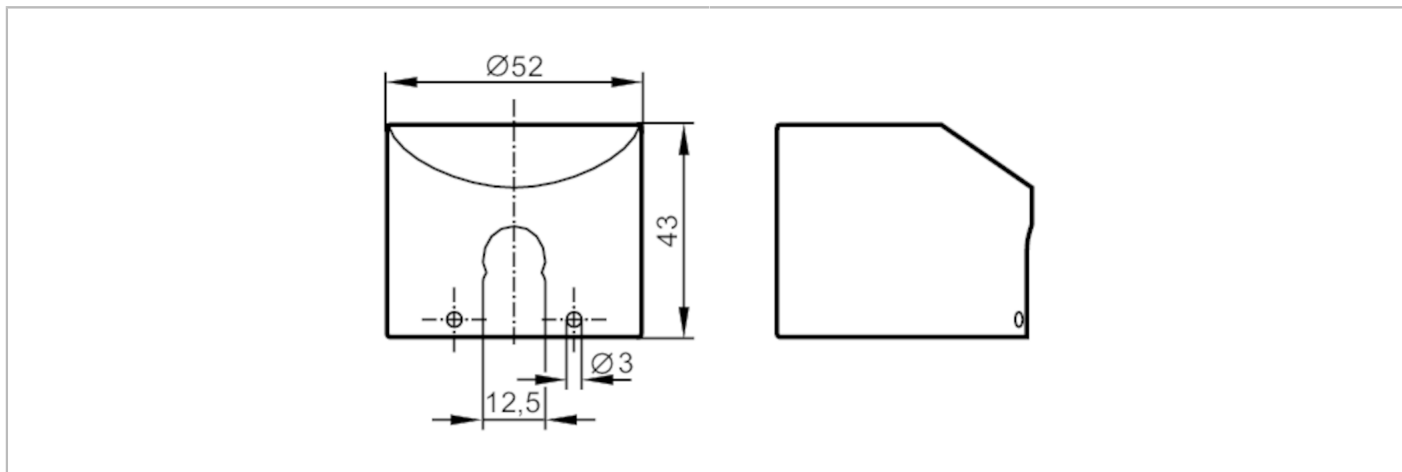


E40203



Protective cover for process sensors

PROTECTIVE COVER SI5 D52,5 L43



Application	
Design	for flow sensors Typ SI5xxx, SI6xxx, SR59xx
Mechanical data	
Weight [g]	9
Materials	PP uncoloured
Remarks	
Pack quantity	1 pcs.