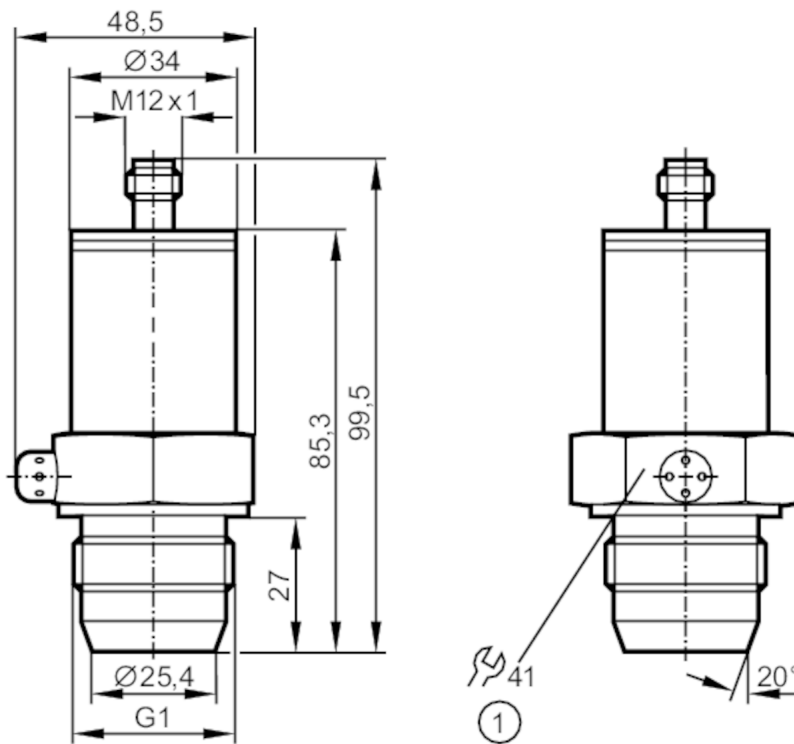


# PL2658



## Flush pressure transmitter

PL-,25BREA01-E-ZVG/US/ IP



1 Tightening torque 20 Nm



Application			
Application	hygienic systems		
Media	viscous media and liquids with suspended particles; liquids and gases		
Medium temperature [°C]	-25...80		
Pressure rating	6000 mbar	2400 inH2O	600 kPa
Min. bursting pressure	30000 mbar	12000 inH2O	3000 kPa
Type of pressure	relative pressure		
No dead space	yes		
Electrical data			
Operating voltage [V]	14...30 DC		
Min. insulation resistance [MΩ]	100; (500 V DC)		
Protection class	III		
Reverse polarity protection	yes		
Inputs / outputs			
Number of inputs and outputs	Number of analogue outputs: 1		



## Flush pressure transmitter

PL-,25BREA01-E-ZVG/US/ IP

Outputs			
Total number of outputs	1		
Output signal	analogue signal		
Number of analogue outputs	1		
Analogue current output [mA]	4...20		
Max. load [ $\Omega$ ]	550; ( $U_b = 24\text{ V}$ ; ( $U_b - 13\text{ V}$ ) / 20 mA)		
Overload protection	yes		
Measuring/setting range			
Measuring range	-12.5...250 mbar	-5...100.4 inH <sub>2</sub> O	-1.25...25 kPa
Analogue start point	-12.5...100 mbar	-5...40.2 inH <sub>2</sub> O	-1.25...10 kPa
Analogue end point	50...250 mbar	20.2...100.4 inH <sub>2</sub> O	5...25 kPa
In steps of	0.5 mbar	0.2 inH <sub>2</sub> O	0.05 kPa
Accuracy / deviations			
Repeatability [% of the span]	< $\pm 0,1$ ; (with temperature fluctuations < 10 K; Turn down 1:1)		
Characteristics deviation [% of the span]	< $\pm 0,6$ ; (Turn down 1:1 linearity, incl. hysteresis and repeatability limit value setting to DIN 16086)		
Linearity deviation [% of the span]	< $\pm 0,5$ ; (Turn down 1:1)		
Hysteresis deviation [% of the span]	< $\pm 0,1$ ; (Turn down 1:1)		
Long-term stability [% of the span]	< $\pm 0,1$ ; (Turn down 1:1; per year)		
Temperature coefficient zero point [% of the span / 10 K]	< $\pm 0,1$ ; (0...80 °C)		
Temperature coefficient span [% of the span / 10 K]	< $\pm 0,4$ ; (0...80 °C)		
Response times			
Max. response time analogue output [ms]	3		
Software / programming			
Parameter setting options	zero point; span		
Interfaces			
Communication interface	EPS		
Operating conditions			
Ambient temperature [°C]	-25...80		
Storage temperature [°C]	-40...100		
Protection	IP 67		

# PL2658



## Flush pressure transmitter

PL-,25BREA01-E-ZVG/US/ IP

Tests / approvals		
EMC	EN 61000-4-2 ESD	4 kV CD / 8 kV AD
	EN 61000-4-3 HF radiated	10 V/m
	EN 61000-4-4 Burst	2 kV
	EN 61000-4-6 HF conducted	10 V
Shock resistance	DIN IEC 68-2-27	50 g (11 ms)
Vibration resistance	DIN IEC 68-2-6	20 g (10...2000 Hz)
MTTF	[years]	271

Mechanical data	
Weight	[g] 385.6
Materials	stainless steel (1.4404 / 316L); PEI; FKM
Materials (wetted parts)	ceramics (99.9 % Al <sub>2</sub> O <sub>3</sub> ); PTFE; stainless steel (1.4435 / 316L); surface characteristics: Ra < 0,4 / Rz 4
Min. pressure cycles	100 million
Process connection	threaded connection G 1 external thread sealing cone

Remarks	
Remarks	The 3-A qualification is only valid if adapters with 3-A qualification are used for installation.
Pack quantity	1 pcs.

### Electrical connection

Connector: 1 x M12



### Connection

