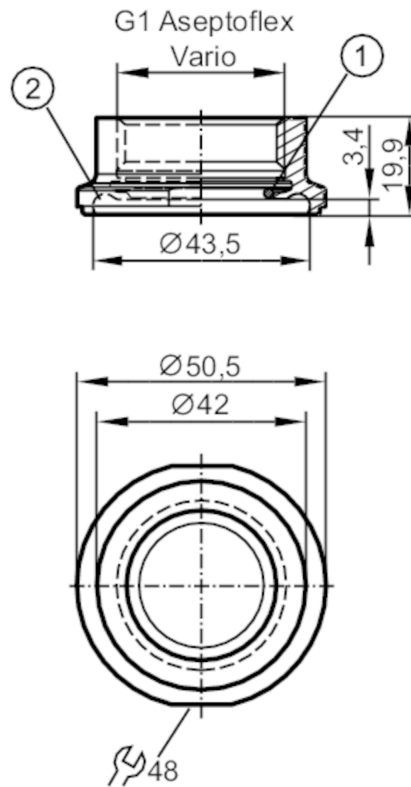


# E33243



## Mounting adapter for process sensors

ADAPT DIN11864-3-NKS-A/DN32/G1



- 1 O-ring (included)
- 2 groove for O-ring to DIN 11864-3-R-34x5

**EHEDG Certified**

Application	
Design	for pipes DN 32 (DIN 11866, Reihe A)
Mechanical data	
Weight [g]	130
Materials	stainless steel (1.4435 / 316L)
Surface characteristics Ra/Rz of the wetted parts	0.4 / 4
Hygienic equipment class to DIN 11866	H4
Accessories	
Accessories (supplied)	O-ring: 24 x 2, EPDM, FDA compliant
Accessories (optional)	O-ring: 1 x 24 x 2, FKM, FDA compliant, E30123 sealing ring: 1, PEEK, FDA compliant, E30124
Remarks	
Pack quantity	1 pcs.