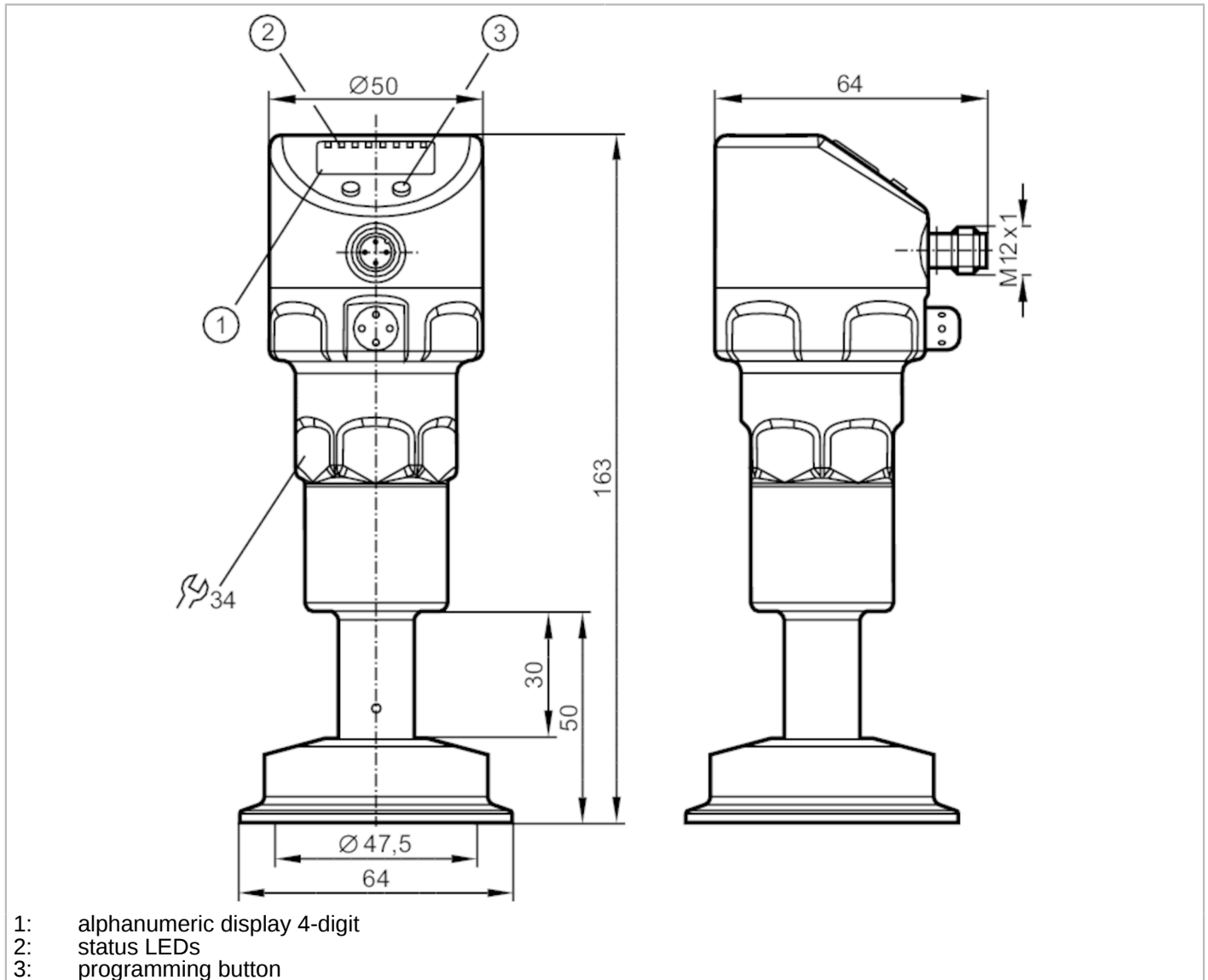


PI2307



Flush pressure sensor with display

PI-001BREZ02-MFRKG/US/ IP



Application	
Application	hygienic systems
Media	viscous media and liquids with suspended particles; liquids and gases
Medium temperature [°C]	-25...200; (-25...160 °C; Ambient temperature > 65 °C)
Pressure rating	10000 mbar / 145 psi
Min. bursting pressure	30000 mbar / 435 psi
Type of pressure	relative pressure
Electrical data	
Min. insulation resistance [MΩ]	100; (500 V DC)
Protection class	III
Reverse polarity protection	yes
Integrated watchdog	yes

PI2307



Flush pressure sensor with display

PI-001BREZ02-MFRKG/US/ /P

2-wire			
Operating voltage	[V]	20...32 DC	
Current consumption	[mA]	3.6...21	
Power-on delay time	[s]	1	
3-wire			
Operating voltage	[V]	18...32 DC	
Current consumption	[mA]	< 45	
Power-on delay time	[s]	0.5	
Inputs / outputs			
Number of inputs and outputs	Number of digital outputs: 2; Number of analogue outputs: 1		
Outputs			
Total number of outputs	2		
Output signal	switching signal; analogue signal; IO-Link; (configurable)		
Electrical design	PNP/NPN		
Number of digital outputs	2		
Output function	normally open / normally closed; (parameterisable)		
Number of analogue outputs	1		
Analogue current output	[mA]	4...20, invertible; (scalable)	
Short-circuit protection	yes		
Type of short-circuit protection	pulsed		
Overload protection	yes		
2-wire			
Max. load	[Ω]	300	
3-wire			
Max. voltage drop switching output DC	[V]	2	
Permanent current rating of switching output DC	[mA]	250	
Switching frequency DC	[Hz]	125	
Max. load	[Ω]	(U _b - 10 V) / 20 mA	
Measuring/setting range			
Measuring range	-50...1000 mbar		-0.73...14.5 psi
Set point SP	-48...1000 mbar		-0.7...14.5 psi
Reset point rP	-50...998 mbar		-0.73...14.47 psi
Analogue start point	-50...750 mbar		-0.73...10.88 psi
Analogue end point	200...1000 mbar		2.9...14.5 psi
In steps of	1 mbar		0.01 psi
Factory setting	SP1 = 250 mbar		rP1 = 230 mbar
	SP2 = 750 mbar		rP2 = 730 mbar
	ASP = 0 mbar		AEP = 1000 mbar
Accuracy / deviations			
Switch point accuracy	< ± 0,2; (Turn down 1:1)		



Flush pressure sensor with display

PI-001BREZ02-MFRKG/US/ /P

	[% of the span]	
Repeatability	[% of the span]	< ± 0,1; (with temperature fluctuations < 10 K; Turn down 1:1)
Characteristics deviation	[% of the span]	< ± 0,2; (Turn down 1:1 linearity, incl. hysteresis and repeatability limit value setting to DIN 16086)
Linearity deviation	[% of the span]	< ± 0,15; (Turn down 1:1)
Hysteresis deviation	[% of the span]	< ± 0,15; (Turn down 1:1)
Long-term stability	[% of the span]	< ± 0,1; (Turn down 1:1; per year)
Temperature coefficient zero point	[% of the span / 10 K]	< ± 0,3; (0...200 °C)
Temperature coefficient span	[% of the span / 10 K]	< ± 0,15; (0...200 °C)

Response times

Damping for the switching output dAP	[s]	0...30
Damping for the analogue output dAA	[s]	0.01...99.99
2-wire		
Step response time analogue output	[ms]	45
3-wire		
Min. response time of switching output (dAP)	[ms]	3
Step response time analogue output	[ms]	7

Interfaces

Communication interface		IO-Link
Transmission type		COM2 (38,4 kBaud)
IO-Link revision		1.0
SDCI standard		IO-Link Communication Specification, Version 1.0, January 2009, Ordner No: 10.002
IO-Link device ID		106 d / 00 00 6A h
Profiles		no profile
SIO mode		yes
Required master port type		A
Process data analogue		1
Process data binary		2
Min. process cycle time	[ms]	2.3

Operating conditions


Ambient temperature	[°C]	-25...80
Note on ambient temperature		-25...60 °C Medium temperature: > 160 °C
Storage temperature	[°C]	-25...100
Protection		IP 67; IP 68; IP 69K

PI2307



Flush pressure sensor with display

PI-001BREZ02-MFRKG/US/ /P

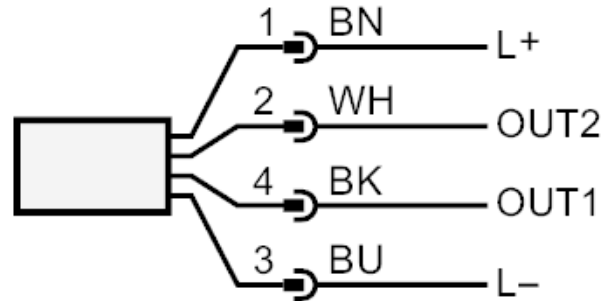
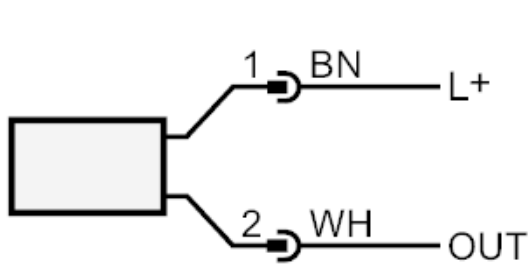
Tests / approvals		
EMC	DIN EN 61000-6-2	
	DIN EN 61000-6-3	
Shock resistance	DIN EN 60068-2-27	50 g (11 ms)
Vibration resistance	DIN EN 60068-2-6	20 g (10...2000 Hz)
MTTF [years]	142	
Note on approval	Including free 6-point calibration certificate.	
Mechanical data		
Weight [g]	1059.4	
Materials	stainless steel (1.4404 / 316L); stainless steel (1.4435 / 316L); PBT; PEI; PFA	
Materials (wetted parts)	stainless steel (1.4435 / 316L)	
Min. pressure cycles	10 million	
Process connection	Clamp DN 51 / 2"	
Surface characteristics Ra/Rz of the wetted parts	< 0.38 / -	
Fill fluid for pressure transfer	medical white oil (suited for use in food applications, FDA compliant)	
Diaphragm diameter [mm]	47.5	
Displays / operating elements		
Display	Display unit	LED, green
	switching status	LED, yellow
	function display	alphanumeric display, 4-digit
	measured values	alphanumeric display, 4-digit
Display unit	mbar; kPa; psi; inH2O; mWS; % of the span	
Remarks		
Pack quantity	1 pcs.	
Electrical connection		
Connector: 1 x M12; Contacts: gold-plated		
		

PI2307



Flush pressure sensor with display

PI-001BREZ02-MFRKG/US/ IP



	connection for 2-wire operation :
OUT	analogue output
	connection for 3-wire operation :
OUT1	switching output
	IO-Link
OUT2	switching output
	analogue output
	colours to DIN EN 60947-5-2
	Core colours :
BK =	black
BN =	brown
BU =	blue
WH =	white