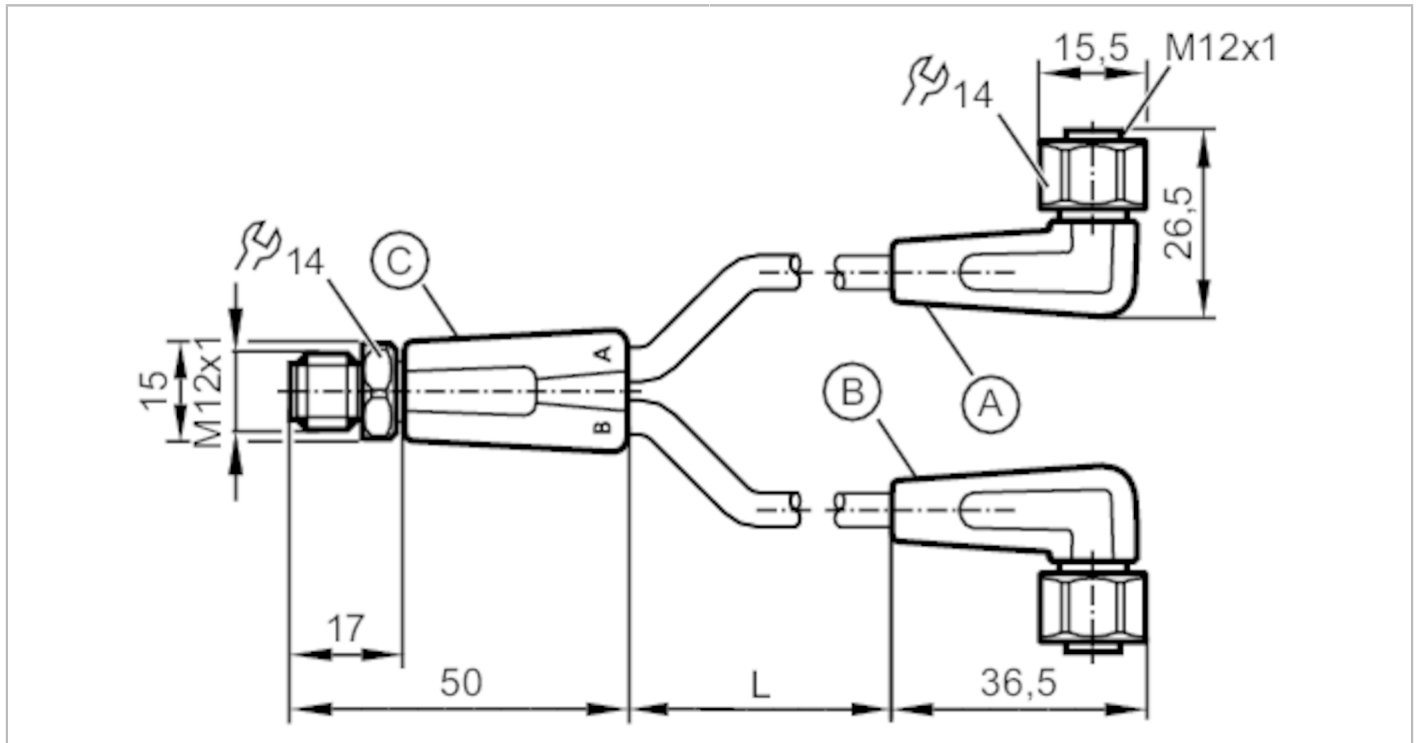


EVF333



Y connection cable

YDOAH040VAS0002P04STGH050VAS



Application		
Application	hygienic and wet areas in the food industry	
Free from silicone	yes	
Electrical data		
Operating voltage [V]	< 60 AC/DC	
Protection class	II	
Max. current load total [A]	4	
Operating conditions		
Ambient temperature [°C]	-25...100	
Ambient temperature (moving) [°C]	5...100	
Protection	IP 65; IP 67; IP 68; IP 69K	
Mechanical data		
Weight [g]	159.2	
Materials	Connecting cable with plug: PP grey; Connecting cable with socket: PP grey; Sealing: EPDM	
Material nut	stainless steel (1.4404 / 316L) / stainless steel (1.4404 / 316L)	
Number of ports splitter box	2	
Drag chain suitability	bending radius for flexible use	min. 10 x cable diameter
	travel speed	max. 3.3 m/s for a horizontal travel length of 5 m and max. acceleration of 5 m/s ²
	bending cycles	> 1 Mio.
	torsional strain	± 180 °/m
Drag chain suitability	yes	
Remarks		
Pack quantity	1 pcs.	

EVF333



Y connection cable

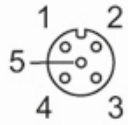
YDOAH040VAS0002P04STGH050VAS

Electrical connection

Cable: 2 m, MPPE, Halogen-free, grey, \varnothing 4.9 mm; 4 x 0.34 mm² (42 x \varnothing 0.1 mm)

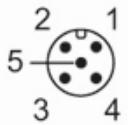
Electrical connection - socket

Connector: 2 x M12; Locking: stainless steel (1.4404 / 316L); Contacts: gold-plated; Tightening torque: 0.6...1.5 Nm



Electrical connection - plug

Connector: 2 x M12; Locking: stainless steel (1.4404 / 316L); Contacts: gold-plated; Tightening torque: 0.6...1.2 Nm



Connection

