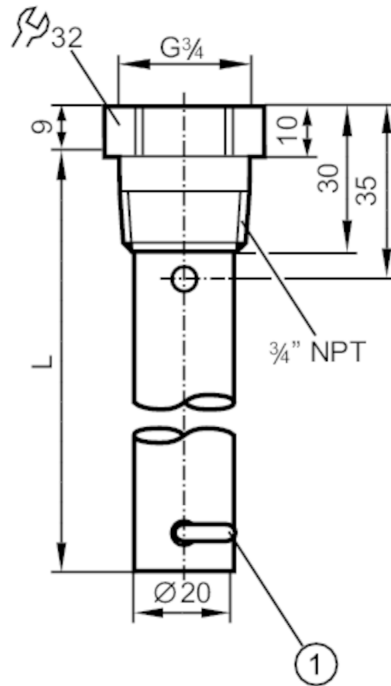


E43221



Coaxial pipe for level sensors

LR COAX TUBE NPT 1600 V2A



1 fixing bracket for centring piece

Application

Design	for level sensors LR	
Medium temperature	[°C]	0...90
Tank pressure	[bar]	-1...16

Mechanical data

Weight	[g]	853.2
Materials	stainless steel (1.4301 / 304); Centring piece: PP glass fibre reinforced; fixing bracket: stainless steel (1.4310 / 301)	
Sensor connection	G 3/4	
Process connection	3/4 NPT	
Length	[mm]	1600

Remarks

Pack quantity	1 pcs.	
---------------	--------	--