

# PN2070



## Pressure sensor with display

PN-400-SER14-MFRKG/US/ IV



- 1 alphanumeric display 4-digit red/green
- 2 LEDs Display unit / switching status
- 3 programming button
- 4 upper part of the housing can be rotated 345°



### Application

Measuring element	metallic thin film cell		
Application	for industrial applications		
Media	liquids and gases		
Medium temperature [°C]	-25...80		
Pressure rating	800 bar	11580 psi	80 MPa
Min. bursting pressure	1700 bar	24650 psi	170 MPa
Vacuum resistance [mbar]	-1000		
Type of pressure	relative pressure		

### Electrical data

Operating voltage [V]	18...30 DC; (according to EN 50178 SELV/PELV)		
Current consumption [mA]	< 35		
Min. insulation resistance [MΩ]	100; (500 V DC)		
Protection class	III		
Reverse polarity protection	yes		
Power-on delay time [s]	0.3		
Integrated watchdog	yes		

# PN2070



## Pressure sensor with display

PN-400-SER14-MFRKG/US/ IV

Outputs			
Total number of outputs	2		
Output signal	switching signal; analogue signal; IO-Link; (configurable)		
Electrical design	PNP/NPN		
Number of digital outputs	2		
Output function	normally open / normally closed; (parameterisable)		
Max. voltage drop switching output DC [V]	2		
Permanent current rating of switching output DC [mA]	250		
Switching frequency DC [Hz]	< 500		
Number of analogue outputs	1		
Analogue current output [mA]	4...20; (scalable 1:5)		
Max. load [Ω]	500		
Analogue voltage output [V]	0...10; (scalable 1:5)		
Min. load resistance [Ω]	2000		
Short-circuit protection	yes		
Type of short-circuit protection	pulsed		
Overload protection	yes		
Measuring/setting range			
Measuring range	0...400 bar	0...5800 psi	0...40 MPa
Set point SP	1.5...400 bar	20...5800 psi	0.15...40 MPa
Reset point rP	1...399.5 bar	10...5790 psi	0.1...39.95 MPa
Analogue start point	0...320 bar	0...4640 psi	0...32 MPa
Analogue end point	80...400 bar	1160...5800 psi	8...40 MPa
In steps of	0.5 bar	10 psi	0.05 MPa
Accuracy / deviations			
Switch point accuracy [% of the span]	< ± 0,4; (Turn down 1:1)		
Repeatability [% of the span]	< ± 0,1; (with temperature fluctuations < 10 K; Turn down 1:1)		
Characteristics deviation [% of the span]	< ± 0,25 (BFSL) / < ± 0,5 (LS); (Turn down 1:1; BFSL = Best Fit Straight Line; LS = limit value setting)		
Hysteresis deviation [% of the span]	< ± 0,1; (Turn down 1:1)		
Long-term stability [% of the span]	< ± 0,05; (Turn down 1:1; per 6 months)		
Temperature coefficient zero point [% of the span / 10 K]	0,2; (-25...80 °C)		
Temperature coefficient span [% of the span / 10 K]	0,2; (-25...80 °C)		

# PN2070



## Pressure sensor with display

PN-400-SER14-MFRKG/US/ IV

Response times		
Response time	[ms]	< 1.5
Delay time programmable dS, dr	[s]	0...50
Damping for the switching output dAP	[s]	0...4
Damping for the analogue output dAA	[s]	0...4
Max. response time analogue output	[ms]	3
Software / programming		
Parameter setting options	hysteresis / window; normally open / normally closed; switch-on/ switch-off delay; Damping; Display unit; current/voltage output	
Interfaces		
Communication interface	IO-Link	
Transmission type	COM2	
IO-Link revision	1.1	
SDCI standard	IEC 61131-9	
IO-Link device ID	459 d / 00 01 cb h	
Profiles	Smart Sensor: Process Data Variable; Device Identification, Device Diagnosis	
SIO mode	yes	
Required master port type	A	
Process data analogue	1	
Process data binary	2	
Min. process cycle time	[ms]	2.3
Operating conditions		
Ambient temperature	[°C]	-25...80
Storage temperature	[°C]	-40...100
Protection	IP 65; IP 67	
Tests / approvals		
EMC	DIN EN 61000-6-2	
	DIN EN 61000-6-3	
Shock resistance	DIN EN 60068-2-27	50 g (11 ms)
Vibration resistance	DIN EN 60068-2-6	20 g (10...2000 Hz)
MTTF	[years]	129
UL approval	UL Approval no.	J014
Pressure Equipment Directive	Sound Engineering Practice; can be used for group 2 fluids; group 1 fluids on request	
Mechanical data		
Weight	[g]	233
Materials	1.4542 (17-4 PH / 630); stainless steel (1.4404 / 316L); PBT+PC-GF30; PBT-GF20; PC	
Materials (wetted parts)	1.4542 (17-4 PH / 630)	
Min. pressure cycles	100 million	
Tightening torque	[Nm]	25...35; (recommended tightening torque; depends on lubrication, seal and pressure rating)
Process connection	threaded connection G 1/4 internal thread (DIN EN ISO 1179-2)	

# PN2070



## Pressure sensor with display

PN-400-SER14-MFRKG/US/ IV

### Displays / operating elements

Display	Display unit	3 x LED, green (bar, psi, MPa)
	switching status	2 x LED, yellow
	measured values	alphanumeric display, red/green 4-digit

### Remarks

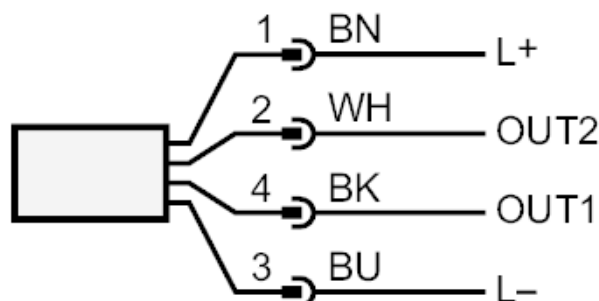
Pack quantity	1 pcs.
---------------	--------

### Electrical connection

Connector: 1 x M12; Contacts: gold-plated



### Connection



OUT1            switching output

OUT2            switching output

analogue output

Core colours :

BK =            black

BN =            brown

BU =            blue

WH =            white