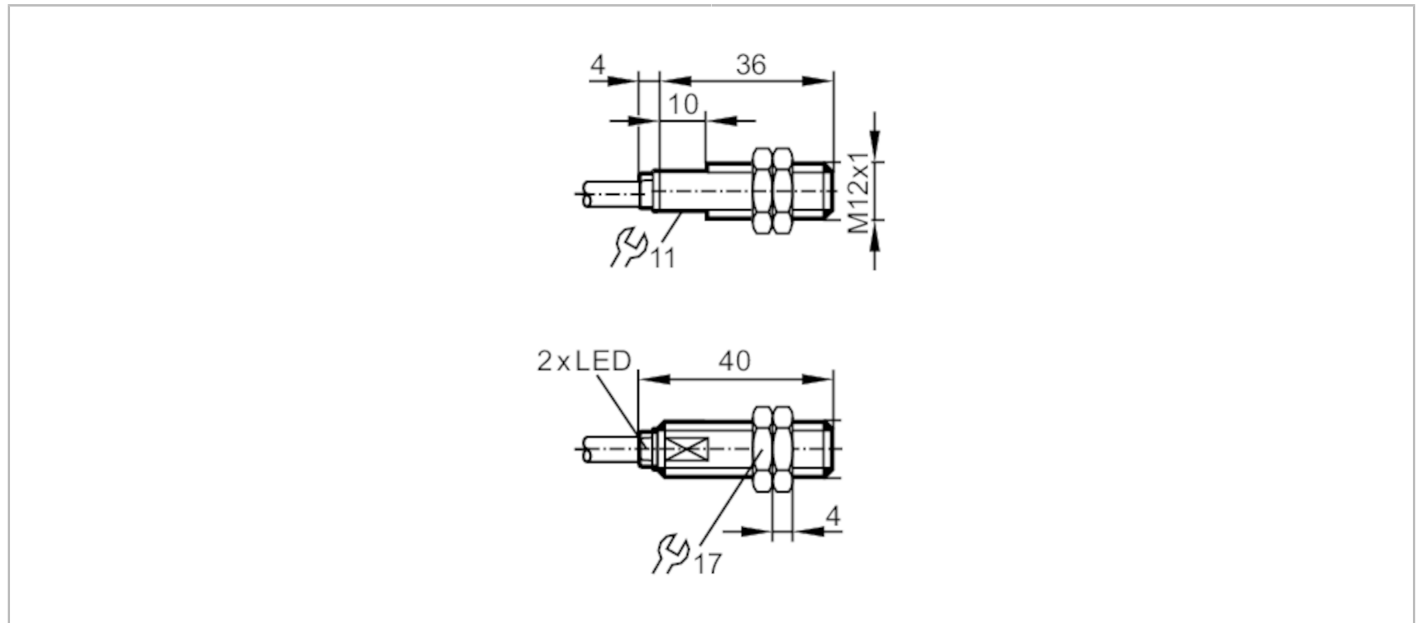


IF5740



Inductive sensor

IFB2004BAROG/UP/2LED/3M/PH



Electrical data		
Operating voltage	[V]	10...36 DC
Protection class		II
Reverse polarity protection		no
Outputs		
Electrical design		PNP/NPN
Output function		normally open
Max. voltage drop switching output DC	[V]	5
Minimum load current	[mA]	5
Max. leakage current	[mA]	1
Permanent current rating of switching output DC	[mA]	100
Switching frequency DC	[Hz]	110
Short-circuit protection		no
Overload protection		no
Detection zone		
Sensing range	[mm]	4
Real sensing range S_r	[mm]	$4 \pm 10\%$
Operating distance	[mm]	0...3.25
Increased sensing range		yes
Accuracy / deviations		
Correction factor		steel: 1 / stainless steel: 0.7 / brass: 0.4 / aluminium: 0.4 / copper: 0.3
Hysteresis	[% of S_r]	3...15
Switch point drift	[% of S_r]	-10...10

IF5740

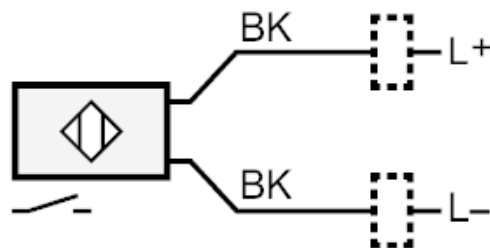


Inductive sensor

IFB2004BAROG/UP/2LED/3M/PH

Operating conditions		
Ambient temperature	[°C]	-25...70
Protection		IP 67
Tests / approvals		
EMC	EN 60947-5-2	
	EN 55011	class B
MTTF	[years]	1671
Mechanical data		
Weight	[g]	111.2
Housing		threaded type
Mounting		flush mountable
Dimensions	[mm]	M12 x 1 / L = 40
Thread designation		M12 x 1
Materials		brass white bronze coated; PBT
Displays / operating elements		
Display	switching status	1 x LED, red
	switching status	1 x LED, green
Optical setting aid		yes
Accessories		
Accessories (supplied)		lock nuts: 2
Remarks		
Pack quantity		1 pcs.
Electrical connection		
Cable: 3 m, PUR; 2 x 0.34 mm ²		

Connection



Core colours :

BK = black