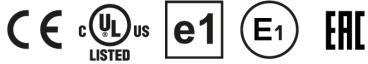
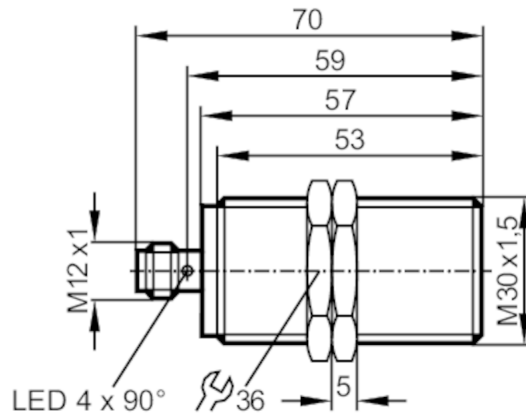


IIM200



Inductive sensor

IIC012BASKG/M/US-104



Electrical data	
Operating voltage [V]	10...36 DC
Current consumption [mA]	< 10; (only in 3-wire operation)
Protection class	II
Reverse polarity protection	yes
Outputs	
Electrical design	PNP/NPN
Output function	normally open
Max. voltage drop switching output DC [V]	2.5
Minimum load current [mA]	2; (only in 2-wire operation)
Max. leakage current [mA]	0.5; (only in 2-wire operation)
Permanent current rating of switching output DC [mA]	100
Switching frequency DC [Hz]	100
Short-circuit protection	yes
Type of short-circuit protection	pulsed
Overload protection	yes
Detection zone	
Sensing range [mm]	12
Operating distance [mm]	0...9.72
Increased sensing range	yes
Accuracy / deviations	
Correction factor	steel: 1 / stainless steel: 0.7 / brass: 0.5 / aluminium: 0.45 / copper: 0.4
Hysteresis [% of Sr]	1...20
Operating conditions	
Ambient temperature [°C]	-40...85
Protection	IP 67; IP 69K

IIM200



Inductive sensor

IIC012BASKG/M/US-104

Tests / approvals		
EMC	automotive area	
	noise emission and noise interference according to the automotive directive 95/54/EC	E1 type approval
	noise immunity according to DIN ISO 11452-2	100 V/m
	conducted interference acc. to ISO 7637-2	
	pulse	1 2 3a 3b 4 5
	severity level	IV IV IV IV IV IV
	failure criterion	C C A A A C
	EN 61000-4-2 ESD	4 kV CD / 8 kV AD
	EN 61000-4-3 HF radiated	10 V/m
	EN 61000-4-4 Burst	2 kV
	EN 61000-4-5 Surge	0,5 kV line to line, Ri: 2 Ohm
	EN 61000-4-6 HF conducted	10 V
	EN 55011	class B
	Vibration resistance	EN 60068-2-6 Fc
Shock resistance	EN 60068-2-27 Ea	100 g 11 ms half-sine; 3 shocks each in every direction of the 3 coordinate axes / -40...85 °C
Continuous shock resistance	EN 60068-2-29 Eb	40 g 6 ms; 4000 shocks each in every direction of the 3 coordinate axes / -20...50 °C
Fast temperature changes	EN 60068-2-14 Na	TA = -40 °C; TB = 85 °C; t1 = 30 min; t2 = < 10 s; 50 cycles
Salt spray test	EN 60068-2-52 Kb	severity level 5 (4 test cycles)
MTTF	[years]	1101
UL approval	Ta	0...40 °C
	Enclosure type	Type 1
	voltage supply	Limited Voltage/Current
	File number UL	E174191
Mechanical data		
Weight	[g]	132.4
Housing		threaded type
Mounting		flush mountable
Dimensions	[mm]	M30 x 1.5 / L = 70
Thread designation		M30 x 1.5
Materials		housing: stainless steel; sensing face: PBT; connector housing: PEI; lock nuts: brass
Displays / operating elements		
Display	switching status	4 x 90° LED, yellow
Accessories		
Accessories (supplied)		lock nuts: 2
Remarks		
Pack quantity		1 pcs.
Electrical connection - plug		
Connector: 1 x M12; Contacts: gold-plated		

IIM200



Inductive sensor

IIC012BASKG/M/US-104



2-wire

