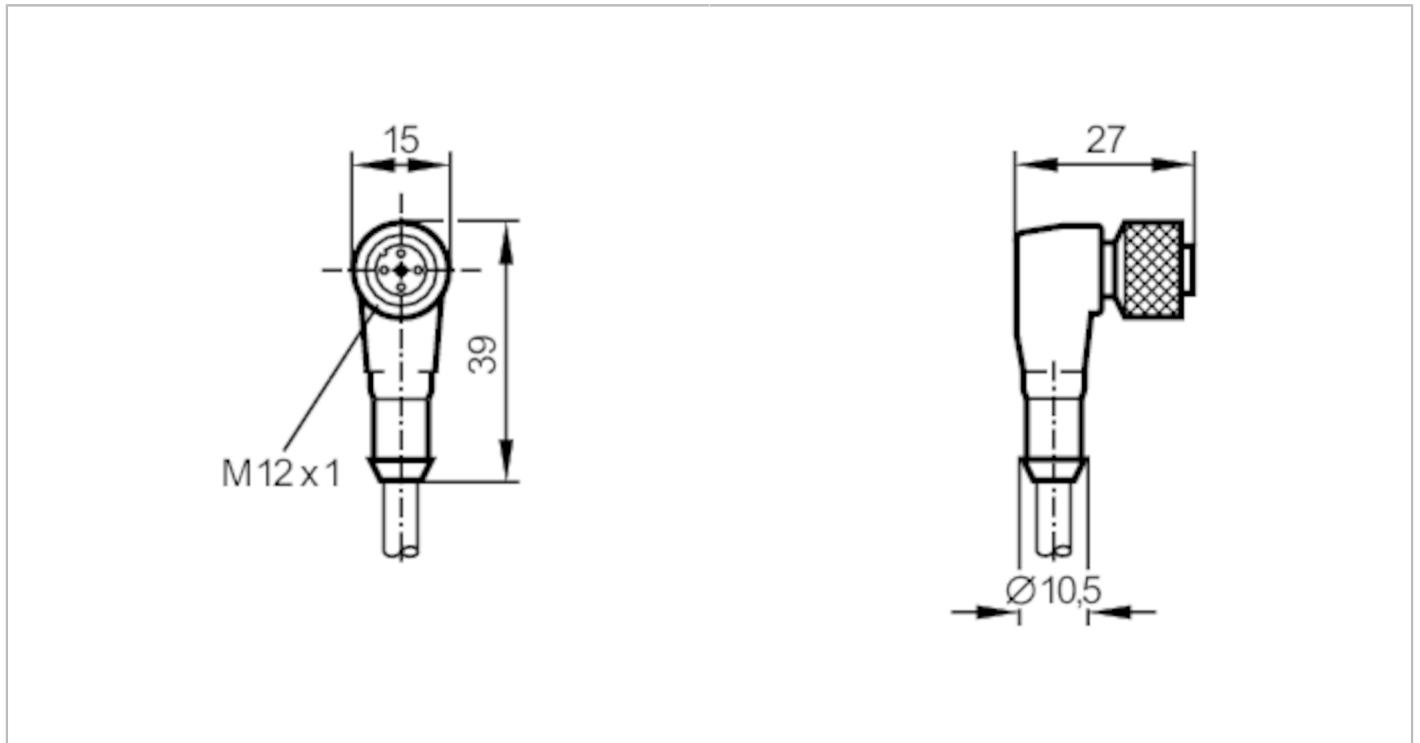


E10866



Connecting cable with socket

ADOAH030MSS0005E03



Electrical data

Operating voltage [V] < 250 AC / < 300 DC

Operating conditions

Ambient temperature [°C] -25...90

Protection IP 67

Mechanical data

Weight [g] 203.4

Dimensions [mm] 27 x 15 x 39

Materials TPU

Material nut brass

Remarks

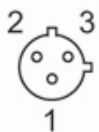
Pack quantity 1 pcs.

Electrical connection

Cable: 5 m, PVC, orange, Ø 5 mm; 3 x 0.34 mm² (19 x Ø 0.16 mm) / AWG 22

Electrical connection - socket

Connector: 1 x M12, angled; Moulded body: TPU; Locking: brass, nickel-plated; Tightening torque: 0.5 Nm



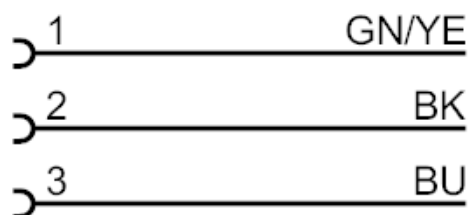
E10866



Connecting cable with socket

ADOAH030MSS0005E03

Connection



Core colours :

BK = black

BU = blue

GN/YE = green/yellow