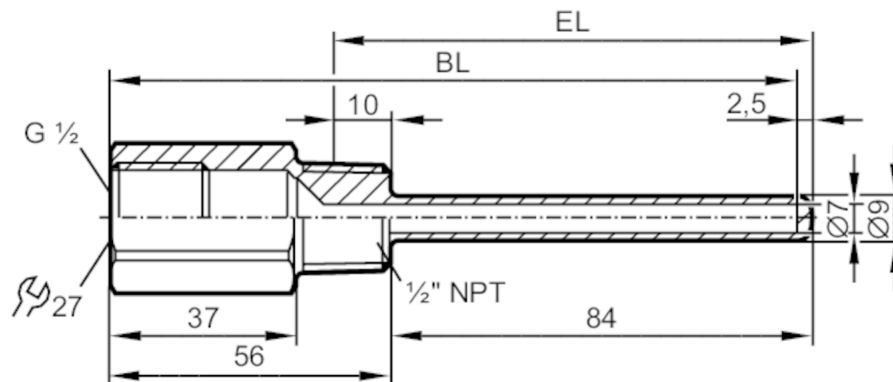


E37211



Thermowell for temperature sensors

THERMOWELL, D6/ 1/2 NPT/L=100



Application

Design	for temperature sensors EL = 100 mm
Pressure rating [bar]	16

Mechanical data

Weight [g]	163.2
Materials	stainless steel (1.4404 / 316L)
Sensor connection	G 1/2 sealing cone Ø 6 mm
Process connection	1/2 NPT
Installation length EL [mm]	94
Bore length BL [mm]	137

Remarks

Pack quantity	1 pcs.
---------------	--------