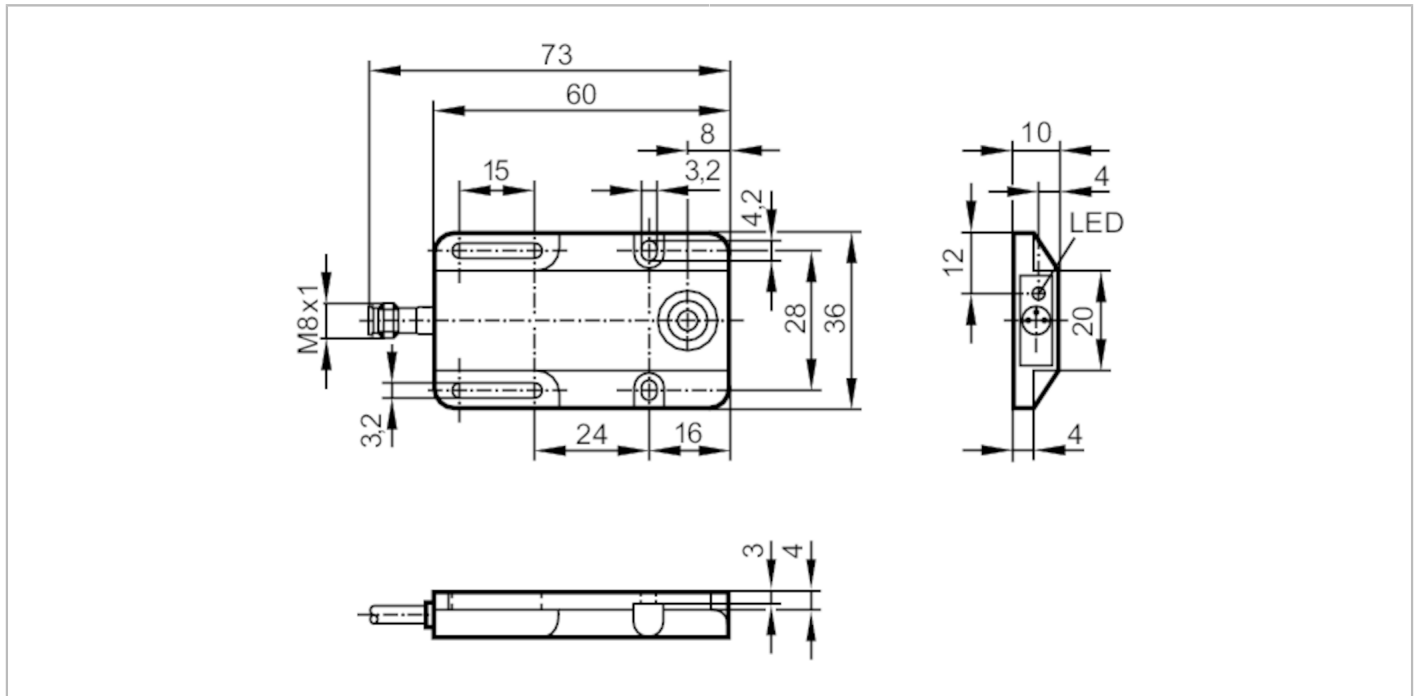


IW5062



Inductive sensor

IW-3008-APKG/AS-610-TPO



Electrical data		
Operating voltage	[V]	10...36 DC
Current consumption	[mA]	5; (24 V)
Protection class		III
Reverse polarity protection		yes
Outputs		
Electrical design		PNP
Output function		normally closed
Max. voltage drop switching output DC	[V]	2.5; (at I (load) < 50 mA and 0...50 °C: < 1,5)
Permanent current rating of switching output DC	[mA]	250
Switching frequency DC	[Hz]	300
Short-circuit protection		yes
Type of short-circuit protection		pulsed
Overload protection		yes
Detection zone		
Sensing range	[mm]	8
Real sensing range Sr	[mm]	8 ± 10 %
Operating distance	[mm]	0...6.5
Accuracy / deviations		
Correction factor		steel: 1 / stainless steel: 0.7 / brass: 0.4 / aluminium: 0.3 / copper: 0.2
Hysteresis	[% of Sr]	3...15
Switch point drift	[% of Sr]	-10...10

IW5062



Inductive sensor

IW-3008-APKG/AS-610-TPO

Operating conditions

Ambient temperature	[°C]	-25...80
Protection		IP 65; (with ifm socket duly screwed on: IP67)

Tests / approvals

EMC		EN 60947-5-2
MTTF	[years]	1893

Mechanical data

Weight	[g]	26
Housing		rectangular
Mounting		non-flush mountable
Dimensions	[mm]	60 x 36 x 10
Materials		PBT

Displays / operating elements

Display	switching status	1 x LED, yellow
---------	------------------	-----------------

Remarks

Pack quantity		1 pcs.
---------------	--	--------

Electrical connection - plug

Connector: 1 x M8



Connection

